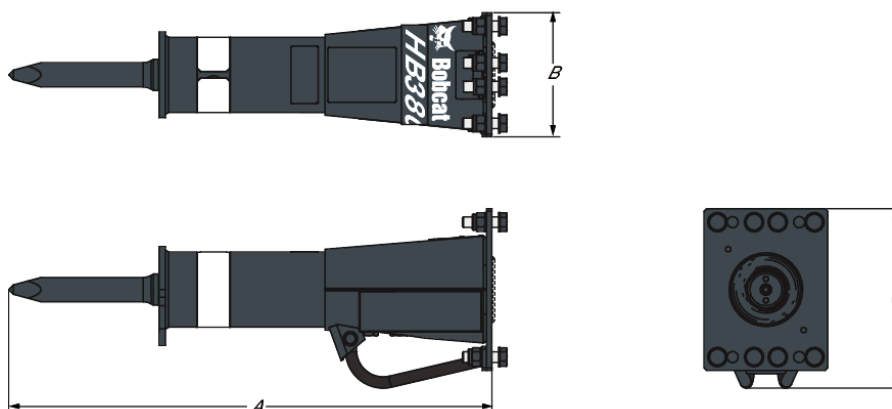


Description

Bobcat® breakers offer high performance, greatly reduced maintenance, and are easy to use. All breakers feature a frame with a cylindrical design, providing improved access to jobs in confined areas. All breakers have a silenced housing as standard.

Dimensions



Description	Item number	Overall length without fixing cap (mm)	Base plate width (mm)	Base plate height (mm)
Breaker HB0280	7133202	866.0	200.0	250.0
Breaker HB0380	7115922	897.0	230.0	300.0
Breaker HB0580	7113418	925.0	230.0	300.0
Breaker HB0680	7113419	1035.0	280.0	400.0
Breaker HB0880	7113420	1188.0	320.0	450.0
Breaker HB0980	7113421	1253.0	320.0	450.0
Breaker HB1180	7115923	1379.0	442.0	505.0
Breaker HB1380	7157576	1489.0	442.0	505.0
Breaker HB2380	7133203	1587.0	442.0	505.0

Weights

Description	Item number	Operating weight (kg)	Shipping weight (kg)
Breaker HB0280	7133202	65.0	65.0
Breaker HB0380	7115922	88.0	88.0
Breaker HB0580	7113418	111.0	111.0
Breaker HB0680	7113419	150.0	150.0
Breaker HB0880	7113420	220.0	220.0
Breaker HB0980	7113421	280.0	280.0
Breaker HB1180	7115923	372.0	372.0
Breaker HB1380	7157576	385.0	385.0
Breaker HB2380	7133203	405.0	405.0

Characteristics and performance

Description	Item number	Flow (l/min) [MIN]	Blow rate soft ground (min-1)	Blow rate hard ground (min-1)	Operating pressure (bar)
Breaker HB0280	7133202	13.0-23.0	1120.0	1290.0	120.0
Breaker HB0380	7115922	15.0-30.0	1400.0	1600.0	120.0
Breaker HB0580	7113418	17.0-35.0	1220.0	1350.0	120.0
Breaker HB0680	7113419	25.0-50.0	1220.0	1340.0	120.0
Breaker HB0880	7113420	30.0-65.0	1150.0	1310.0	120.0
Breaker HB0980	7113421	45.0-80.0	855.0-1060.0	1170.0-1450.0	120.0
Breaker HB1180	7115923	55.0-100.0	680.0-1070.0	820.0-1280.0	125.0
Breaker HB1380	7157576	65.0-120.0	780.0-1030.0	900.0-1230.0	125.0
Breaker HB2380	7133203	75.0-125.0	690.0	910.0	130.0

Main features

- The cylindrical design gives you easier access to jobs in confined areas, enabling you to broaden your range of operations
- Upper and lower shock absorbers isolate the breaker from the housing, reducing noise and vibration for increased operator comfort, without sacrificing performance
- Hardest-hitting breakers in their respective Impact Energy Classes.
- Diaphragm-type accumulators reduce maintenance by preventing slow leaks.
- Long-life breakers designed for all demolition jobs with minimal maintenance
- The innovative steel ring feature retains the tool bushing, protecting the grease access, and provides a quick tool change solution
- Designed for minimum downtime and with few service parts to reduce operation cost and improve overall lifetime of the attachment
- Bobcat® breakers produce low recoil and minimal hydraulic pressure spike to their carriers.
- Breakers can be mounted on your excavator with various systems: directly to the arm pin, with the hydraulic quick coupler or with either of the two mechanical couplers – Klac and Lehnhoff systems

Applications

- Construction and Demolition
- Road work, Recycling and Cleaning

Loader Compatibility

Description	Item number	Compatible with loader	Functional requirements
Breaker HB0580	7113418	S70E	-
Breaker HB0680	7113419	MT55E, S70E, L28, L23	-
Breaker HB0880	7113420	T110-B, T450E IIIB, T590E IIIB, T590B iT4, S100E, S450E IIIA, S450B T2, S510E IIIA, S510B, S530E IIIA, S530B, S550E IIIB, S550B iT4, S570B iT4, S590E IIIB, S590B iT4, S450 V, S510E V, S530E V, T590E V, T450E V, S66, T66, S510B, S530B, S550E V, S590E V	-

Description	Item number	Compatible with loader	Functional requirements
Breaker HB0980	7113421	T110-B, A770-B, T450E IIIB, T590E IIIB, T590B iT4, T650E iT4, T650B iT4, T770E IV, T770E T3, T770B T3, S100E, S450E IIIA, S450B T2, S510E IIIA, S510B, S530E IIIA, S530B, S550E IIIB, S550B iT4, S570B iT4, S590E IIIB, S590B iT4, S630E iT4, S630B iT4, S770E IV, S770E T3, S770B T3, A770E IV, S450 V, S510E V, S530E V, T590E V, T450E V, S66, S76, T66, T76, S510B, S530B, S550E V, S590E V, S630B iT4, S650B iT4	-
Breaker HB1180	7115923	A770-B, T650E iT4, T650B iT4, T770E IV, T770E T3, T770B T3, T870E IV, T870B T3, S630E iT4, S630B iT4, S770E IV, S770E T3, S770B T3, S850E IV, S850E T3, S850B T3, A770E IV, S76, T76, S630B iT4, S650B iT4	-
Breaker HB1380	7157576	A770-B, T770E IV, T770E T3, T770B T3, T870E IV, T870B T3, S770E IV, S770E T3, S770B T3, S850E IV, S850E T3, S850B T3, A770E IV	-
Breaker HB2380	7133203	A770-B, T770E IV, T770E T3, T770B T3, T870E IV, T870B T3, S770E IV, S770E T3, S770B T3, S850E IV, S850E T3, S850B T3, A770E IV	-

Accessories For Loader-Compatible Attachments

Description	Item number	Compatible with attachment	Functional requirements
Fixing Cap HB380, HB580 - Lehnhoff SW01	7250201	7113418 Breaker HB0580	-
Fixing Cap B300 Pin-on	6681470	7113418 Breaker HB0580	-
Fixing Cap KC HB380/580	7140269	7113418 Breaker HB0580	-
Hose Kit B700 for 320/322/325/463/553/S130	6727411	7113418 Breaker HB0580, 7113419 MI BREAKER HB680	-
Hose kit HB380 HB580	7191372	7113418 Breaker HB0580	-
Loader Mounting Frame HB680 For 463 - 553	7113736	7113419 MI BREAKER HB680	-

Description	Item number	Compatible with attachment	Functional requirements
Loader X-Change Mounting Frame	7141800	7113419 MI BREAKER HB680,7113420 MI BREAKER HB880,7113421 MI BREAKER HB980,7115923 MI BREAKER HB1180	-
Fixing cap X-change HB680-US	7113656	7113419 MI BREAKER HB680	-
Hose Kit HB680 E26 std	7117823	7113419 MI BREAKER HB680	-
Hose Kit HB680 E26 long	7117832	7113419 MI BREAKER HB680	-
Pin-on Cap	7198350	7113419 MI BREAKER HB680	-
Fixing Cap KD HB680	7140271	7113419 MI BREAKER HB680	-
Fixing Cap HB680 - Lehnhoff SW03	7198351	7113419 MI BREAKER HB680	-
Breaker HB0680	7113419	7113419 MI BREAKER HB680	-
HB2380 Hose Kit for LFL	7114764	7113420 MI BREAKER HB880,7113421 MI BREAKER HB980,7115923 MI BREAKER HB1180,7157576 MI BREAKER HB1380,7133203 MI BREAKER HB2380	-
Hose Kit BRK for 325/331-753/873	6728963	7113420 MI BREAKER HB880,7113421 MI BREAKER HB980	-
Hose Kit HB880/980 for E32/35 long arm	7180019	7113420 MI BREAKER HB880,7113421 MI BREAKER HB980,7115923 MI BREAKER HB1180	-
Loader Mounting Frame HB880 For 553 -T300	7113737	7113420 MI BREAKER HB880,7113421 MI BREAKER HB980	-
Fixing cap X-change HB880-980-US	7113657	7113420 MI BREAKER HB880,7113420 MI BREAKER HB880,7113421 MI BREAKER HB980	-
Fixing cap Pin-on HB880/980 for E32, E35	7180227	7113420 MI BREAKER HB880,7113421 MI BREAKER HB980	-
Fixing Cap KD HB880/980	7140273	7113420 MI BREAKER HB880,7113421 MI BREAKER HB980	-
Fixing Cap SW03 for small breakers	7172892	7113420 MI BREAKER HB880,7113421 MI BREAKER HB980	-
Fixing Cap KE HB980	7140275	7113421 MI BREAKER HB980	-
Hose Kit BRK for 341	6728967	7113421 MI BREAKER HB980,7115923 MI BREAKER HB1180	-
Fixing Cap Pin-on for HB980 on E45/E50	7192796	7113421 MI BREAKER HB980	-

Description	Item number	Compatible with attachment	Functional requirements
Hose Kit HB1180 for 337	7114762	7113421 MI BREAKER HB980,7115923 MI BREAKER HB1180	-
HB2380 Loader Mounting Frame for LFL	7115937	7115923 MI BREAKER HB1180,7157576 MI BREAKER HB1380,7133203 MI BREAKER HB2380	-
Fixing cap HB1180 X Change	7117325	7115923 MI BREAKER HB1180,7115923 MI BREAKER HB1180,7157576 MI BREAKER HB1380,7157576 MI BREAKER HB1380	-
Fixing Cap KE HB1180/B1400	7140276	7115923 MI BREAKER HB1180,7157576 MI BREAKER HB1380	-
Fixing Cap KF HB1180/B1400	7140277	7115923 MI BREAKER HB1180,7157576 MI BREAKER HB1380,7133203 MI BREAKER HB2380	-
Fixing Cap Pin-on for E80 on large breakers	7168502	7115923 MI BREAKER HB1180,7157576 MI BREAKER HB1380,7133203 MI BREAKER HB2380	-
Fixing Cap SW03 for large breakers	7171108	7115923 MI BREAKER HB1180,7157576 MI BREAKER HB1380	-
Fixing Cap SW08 for large breakers	7172893	7115923 MI BREAKER HB1180,7157576 MI BREAKER HB1380,7133203 MI BREAKER HB2380	-
Fixing Cap Pin-on for HB1180 on E45/E50	7192814	7115923 MI BREAKER HB1180,7157576 MI BREAKER HB1380	-
Hose Kit Auger for E55W Long Arm	7176607	7115923 MI BREAKER HB1180,7157576 MI BREAKER HB1380,7133203 MI BREAKER HB2380	-
Hose Kit for E80 Long Arm	7176608	7115923 MI BREAKER HB1180,7157576 MI BREAKER HB1380,7133203 MI BREAKER HB2380	-
Hose Kit for E55W/E60 Short Arm	7175243	7115923 MI BREAKER HB1180,7157576 MI BREAKER HB1380	-
Hose Kit for E55W/E60 Long Arm	7175244	7115923 MI BREAKER HB1180,7157576 MI BREAKER HB1380	-

Excavator Compatibility

Description	Item number	Compatible with excavator	Functional requirements
Breaker HB0280	7133202	E08, E10z, E10e	-
Breaker HB0380	7115922	E17, E17z, E19, E20z	-
Breaker HB0580	7113418	E17, E17z, E19, E20z	-
Breaker HB0680	7113419	E27z, E27, E26	-
Breaker HB0880	7113420	E32, E34, E35, E35z, E37 (non EU)	-
Breaker HB0980	7113421	E32, E34, E35, E35z, E37 (non EU), E45, E50, E50z, E55z, E50z A2, E55z A2	-
Breaker HB1180	7115923	E45, E50, E55, E62, E85 (EU only), E57W (EU only), E50z, E55z, E60, E50z A2, E55z A2, E57W (EU only)	-
Breaker HB1380	7157576	E55, E62, E85 (EU only), E57W (EU only), E60, E57W (EU only)	-
Breaker HB2380	7133203	E85 (EU only)	-

Accessories For Excavator-Compatible Attachments

Description	Item number	Compatible with attachment	Functional requirements
Fixing Cap HB280 for E08/E10 Pin-on	7160299	7133202 MI BREAKER HB280	-
Hose Kit HB280	7170566	7133202 MI BREAKER HB280	-
Fixing Cap B300 Pin-on	6681470	7115922 BREAKER HB380,7113418 Breaker HB0580	-
Fixing Cap KC HB380/580	7140269	7115922 BREAKER HB380,7113418 Breaker HB0580	-
Hose kit HB380 HB580	7191372	7115922 BREAKER HB380,7113418 Breaker HB0580	-
Fixing Cap HB380, HB580 - Lehnhoff SW01	7250201	7115922 BREAKER HB380,7113418 Breaker HB0580	-
Hose Kit B700 for 320/322/325/463/553/S130	6727411	7113418 Breaker HB0580,7113419 MI BREAKER HB680	-
Loader Mounting Frame HB680 For 463 - 553	7113736	7113419 MI BREAKER HB680	-
Loader X-Change Mounting Frame	7141800	7113419 MI BREAKER HB680,7113420 MI BREAKER HB880,7113421 MI BREAKER HB980,7115923 MI BREAKER HB1180	-
Fixing cap X-change HB680-US	7113656	7113419 MI BREAKER HB680	-
Hose Kit HB680 E26 std	7117823	7113419 MI BREAKER HB680	-
Hose Kit HB680 E26 long	7117832	7113419 MI BREAKER HB680	-
Pin-on Cap	7198350	7113419 MI BREAKER HB680	-
Fixing Cap KD HB680	7140271	7113419 MI BREAKER HB680	-

Description	Item number	Compatible with attachment	Functional requirements
Fixing Cap HB680 - Lehnhoff SW03	7198351	7113419 MI BREAKER HB680	-
Breaker HB0680	7113419	7113419 MI BREAKER HB680	-
HB2380 Hose Kit for LFL	7114764	7113420 MI BREAKER HB880,7113421 MI BREAKER HB980,7115923 MI BREAKER HB1180,7157576 MI BREAKER HB1380,7133203 MI BREAKER HB2380	-
Hose Kit BRK for 325/331-753/873	6728963	7113420 MI BREAKER HB880,7113421 MI BREAKER HB980	-
Hose Kit HB880/980 for E32/35 long arm	7180019	7113420 MI BREAKER HB880,7113421 MI BREAKER HB980,7115923 MI BREAKER HB1180	-
Loader Mounting Frame HB880 For 553 -T300	7113737	7113420 MI BREAKER HB880,7113421 MI BREAKER HB980	-
Fixing cap X-change HB880-980-US	7113657	7113420 MI BREAKER HB880,7113420 MI BREAKER HB880,7113421 MI BREAKER HB980	-
Fixing cap Pin-on HB880/980 for E32, E35	7180227	7113420 MI BREAKER HB880,7113421 MI BREAKER HB980	-
Fixing Cap KD HB880/980	7140273	7113420 MI BREAKER HB880,7113421 MI BREAKER HB980	-
Fixing Cap SW03 for small breakers	7172892	7113420 MI BREAKER HB880,7113421 MI BREAKER HB980	-
Fixing Cap KE HB980	7140275	7113421 MI BREAKER HB980	-
Hose Kit BRK for 341	6728967	7113421 MI BREAKER HB980,7115923 MI BREAKER HB1180	-
Fixing Cap Pin-on for HB980 on E45/E50	7192796	7113421 MI BREAKER HB980	-
Hose Kit HB1180 for 337	7114762	7113421 MI BREAKER HB980,7115923 MI BREAKER HB1180	-
HB2380 Loader Mounting Frame for LFL	7115937	7115923 MI BREAKER HB1180,7157576 MI BREAKER HB1380,7133203 MI BREAKER HB2380	-

Description	Item number	Compatible with attachment	Functional requirements
Fixing cap HB1180 X Change	7117325	7115923 MI BREAKER HB1180,7115923 MI BREAKER HB1180,7157576 MI BREAKER HB1380,7157576 MI BREAKER HB1380	-
Fixing Cap KE HB1180/B1400	7140276	7115923 MI BREAKER HB1180,7157576 MI BREAKER HB1380	-
Fixing Cap KF HB1180/B1400	7140277	7115923 MI BREAKER HB1180,7157576 MI BREAKER HB1380,7133203 MI BREAKER HB2380	-
Fixing Cap Pin-on for E80 on large breakers	7168502	7115923 MI BREAKER HB1180,7157576 MI BREAKER HB1380,7133203 MI BREAKER HB2380	-
Fixing Cap SW03 for large breakers	7171108	7115923 MI BREAKER HB1180,7157576 MI BREAKER HB1380	-
Fixing Cap SW08 for large breakers	7172893	7115923 MI BREAKER HB1180,7157576 MI BREAKER HB1380,7133203 MI BREAKER HB2380	-
Fixing Cap Pin-on for HB1180 on E45/E50	7192814	7115923 MI BREAKER HB1180,7157576 MI BREAKER HB1380	-
Hose Kit Auger for E55W Long Arm	7176607	7115923 MI BREAKER HB1180,7157576 MI BREAKER HB1380,7133203 MI BREAKER HB2380	-
Hose Kit for E80 Long Arm	7176608	7115923 MI BREAKER HB1180,7157576 MI BREAKER HB1380,7133203 MI BREAKER HB2380	-
Hose Kit for E55W/E60 Short Arm	7175243	7115923 MI BREAKER HB1180,7157576 MI BREAKER HB1380	-
Hose Kit for E55W/E60 Long Arm	7175244	7115923 MI BREAKER HB1180,7157576 MI BREAKER HB1380	-

BE OM **EN OFFERT**

Klicka bara på **knappen** eller skanna **QR-koden** nedan för åtkomst till vårt offertformulär.

Vi kontaktar dig så snart som möjligt. Tack!



BEGÄR OFFERT

