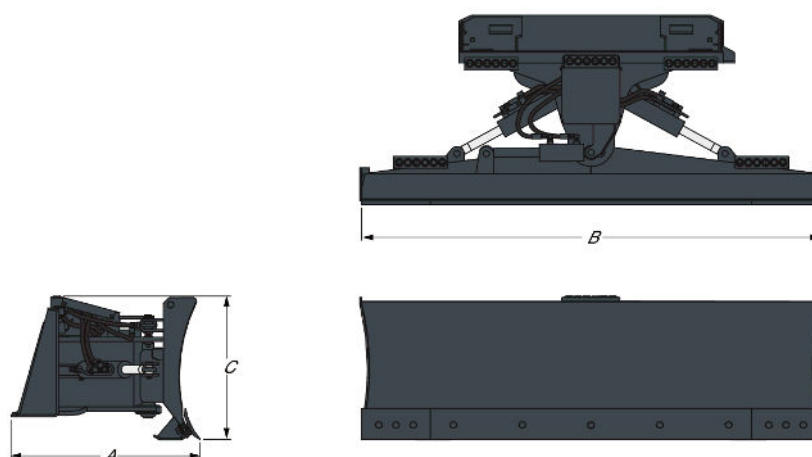


Description

Turn your loader into a mini crawler with the dozer blade. Expand the versatility of your compact tool carrier with the 6-way adjustable blade with electric-over-hydraulic controls and the reversible 3-piece cutting edge. The 6-way dozer blade can be angled plus or minus 30 degrees and oscillates plus or minus 10 degrees for great flexibility under varying dozer conditions. Use this attachment to level, pile and grade loose dirt, gravel and sand; to backfill and shape landscape areas. This heavy-duty tool is also ideal for construction applications.

Dimensions



Description	Item number	Overall Length (mm)	Overall Width (mm)	Overall Height (mm)
Dozer Blade 137 cm	7196165	728.0	1372.0	555.0
Dozer Blade 203 cm	6905884	838.0	2032.0	634.0
Dozer Blade 229 cm	6905811	838.0	2286.0	639.0
Dozer Blade 244 cm	7105781	884.0	2438.0	704.0

Weights

Description	Item number	Operating weight (kg)	Shipping weight (kg)
Dozer Blade 137 cm	7196165	140.0	140.0
Dozer Blade 203 cm	6905884	430.0	430.0
Dozer Blade 229 cm	6905811	447.0	447.0
Dozer Blade 244 cm	7105781	716.0	716.0

Characteristics and performance

Description	Item number	Working Width (mm)	Angle ± (°)	Oscillation ± (°)	Cutting edge (mm)	Cylinders	Skid shoes
Dozer Blade 137 cm	7196165	1189.0	30.0	-	9.6 x 101.6	1	adjustable

Description	Item number	Working Width (mm)	Angle ± (°)	Oscillation ± (°)	Cutting edge (mm)	Cylinders	Skid shoes
Dozer Blade 203 cm	6905884	1760.0	30.0	8.0	12.7 x 152.0	3	adjustable
Dozer Blade 229 cm	6905811	1982.0	30.0	8.0	12.7 x 152.0	3	adjustable
Dozer Blade 244 cm	7105781	2121.0	30.0	10.0	16.0 x 152.0	3	adjustable

Main features

- Six-way adjustable blade on 173 cm models and up
- Electric-over-hydraulic controls on 173 cm models and up
- Reversible cutting edge for all models
- Attachment Control Kit must be installed on Bobcat loader or Telescopic Handler to operate attachment on 173 cm models and up

Loader Compatibility

Description	Item number	Compatible with loader	Functional requirements
Dozer Blade 137 cm	7196165	MT55E, S70E	-
Dozer Blade 203 cm	6905884	T450E IIIB, T590E IIIB, T590B iT4, T650E iT4, T650B iT4, S450E IIIA, S450B T2, S510E IIIA, S510B, S530E IIIA, S530B, S550E IIIB, S550B iT4, S570B iT4, S590E IIIB, S590B iT4, S630E iT4, S630B iT4, S770E IV, S770E T3, S770B T3, S450 V, S510E V, S530E V, T590E V, T450E V, S66, S76, T66, T76, S510B, S530B, S550E V, S590E V, S630B iT4, S650B iT4	-
Dozer Blade 229 cm	6905811	A770-B, T590E IIIB, T590B iT4, T650E iT4, T650B iT4, S530E IIIA, S530B, S550E IIIB, S550B iT4, S570B iT4, S590E IIIB, S590B iT4, S630E iT4, S630B iT4, S770E IV, S770E T3, S770B T3, A770E IV, S530E V, T590E V, S66, S76, T66, T76, S530B, S630B iT4, S650B iT4	-
Dozer Blade 244 cm	7105781	A770-B, T650E iT4, T650B iT4, T770E IV, T770E T3, T770B T3, T870E IV, T870B T3, S630E iT4, S630B iT4, S770E IV, S770E T3, S770B T3, S850E IV, S850E T3, S850B T3, A770E IV, S76, T76, S630B iT4, S650B iT4	-

Applications

- Agriculture

- Forestry
- Grading and Leveling
- Landscaping
- Road work, Recycling and Cleaning
- Snow Removal

BE OM EN OFFERT

Klicka bara på **knappen** eller skanna **QR-koden** nedan för åtkomst till vårt offertformulär.

Vi kontaktar dig så snart som möjligt. Tack!



BEGÄR OFFERT

