



Bobcat®

COMPACT EXCAVATORS

E85

STAGE V COMPLIANT



One Tough Animal®

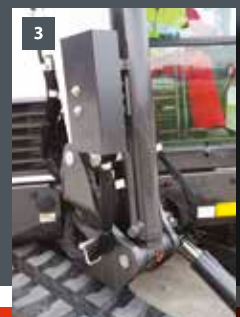
QUALITY, FOR NON-STOP PRODUCTIVITY

The load sensing closed-centre hydraulic system has been fine-tuned for even smoother operations. This allows the operator to make repetitive, smooth and simultaneous movements, which result in great productivity for any kind of operation – such as track loading, trenching or general digging.



The optional 2-piece boom allows you to use your excavator in a wider range of job sites. The superior dumping height, long reach and close retraction – along with the minimal tail-swing radius – expand your possibilities across a variety of work sites.

1. The floating blade feature is standard for the product range, producing a perfect levelling result every time.
2. Arm-mounted two-directional auxiliary hydraulics, with optional 3rd (Clamshell) connection.
3. Extended grease intervals (up to 250 hours) mean less frequent machine inspections.



HIGH PERFORMANCE IN COMPACT PACKAGE

The minimum swing radius gives you the capability to work in confined areas. Upperstructure swing radius of 150 mm allows the operator to focus on the job, without having to worry about damaging the machine or surrounding area.



STAGE V COMPLIANT



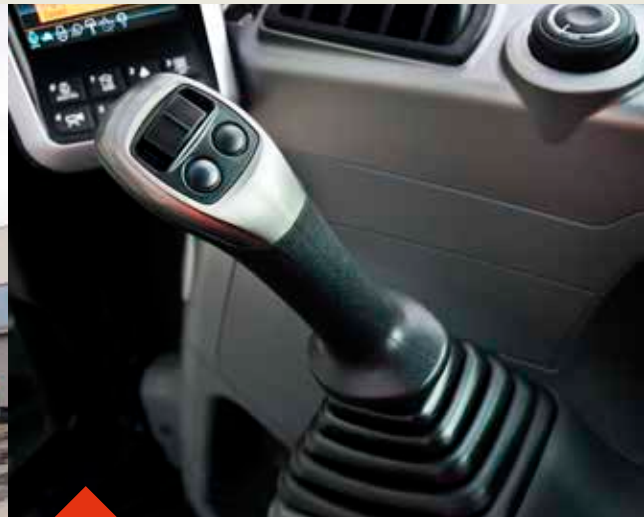
Stage V engine

In compliance with the European engine emissions regulations, the Bobcat E85 is equipped with the Diesel Particulate Filter (DPF) and Diesel Oxidation Catalyst (DOC) exhaust after-treatments.

The automatic regeneration system that cleans the DPF can be turned off temporarily during operations in environments with fumes or other fire hazards.

COMFORT, FOR CONTINUOUS OPERATION

Class leading cab size is offering plenty of space and legroom while exposing the operator to less noise and vibration.



Joysticks with integrated thumb control for better metering of the boom and the bi-directional, proportional flow of auxiliary hydraulics.

Multi-functional instrument panel

The new 5.7" LCD colour panel screenshots:

1. Protection: password protection including multiple operator logins
2. Attachment: selectable auxiliary hydraulic flow settings for attachment operations
3. Maintenance: diagnostics, system status functionality and service intervals
4. Setup: multi-languages and screen brightness
5. Operation: fuel level, coolant temperature, engine RPM, date, time and more



Standard on the E85 excavator, the super deluxe seat, offers suspension, lumbar support and limitless adaptability for every operator. Adjust the seat and angle or position the joysticks exactly where you need them.



Ergonomic layout places operating system in front of the operator, where all the controls are at your fingertips.

With a floor mounted pedal, the operation of the 2-piece boom is simple and intuitive.



EASY TO SERVICE AND ACCESS

Largest cab entry/exit room in the market, reduced side channel and ergonomically positioned handles ensure simple and safe operator entry and exit.

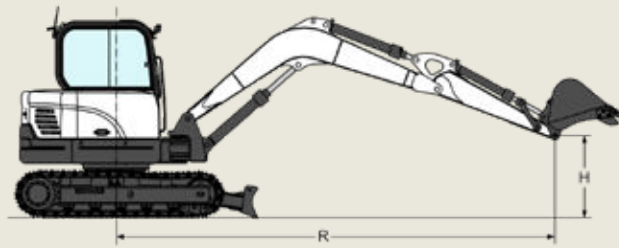


Tilttable cab

In addition to the large right-hand side cover, the cab can be tilted forward, as needed, to improve service accessibility to the main hydraulic valve.



LIFTING CAPACITIES



| STANDARD DIPPERSTICK | | | | | | LONG DIPPERSTICK | | | | | |
|---|----------------------|---------|---------|----------------------|--------------------------|----------------------|---------|---------|---------|----------------------|--------------------------|
| RATED LIFT CAPACITY OVER BLADE – BLADE DOWN | | | | | | | | | | | |
| Lift Point Height [H] | Lift radius [R] (kg) | | | Max. radius [R] (mm) | Lift at max. radius (kg) | Lift radius [R] (kg) | | | | Max. radius [R] (mm) | Lift at max. radius (kg) |
| | 3000 mm | 4000 mm | 5000 mm | | | 3000 mm | 4000 mm | 5000 mm | 6000 mm | | |
| 5000 mm | - | 1950* | - | 4290 | 2010* | - | - | 1510* | - | 5020 | 1480* |
| 4000 mm | - | 1900* | 1900* | 5130 | 1800* | - | - | 1570* | - | 5730 | 1360* |
| 3000 mm | 2700* | 2190* | 1950* | 5620 | 1740* | - | 1800* | 1690* | 1640* | 6170 | 1320* |
| 2000 mm | 3970* | 2640* | 2130* | 5860 | 1770* | 3180* | 2300* | 1910* | 1710* | 6380 | 1340* |
| 1000 mm | 3500* | 3050* | 2310* | 5890 | 1880* | 4340* | 2790* | 2150* | 1800* | 6410 | 1420* |
| Ground | 4520* | 3200* | 2380* | 5720 | 1960* | 4760* | 3100* | 2310* | 1840* | 6260 | 1560* |
| -1000 mm | 4360* | 3060* | 2230* | 5310 | 1970* | 4620* | 3120* | 2310* | - | 5900 | 1760* |

| STANDARD DIPPERSTICK | | | | | | LONG DIPPERSTICK | | | | | |
|---|----------------------|---------|---------|----------------------|--------------------------|----------------------|---------|---------|---------|----------------------|--------------------------|
| RATED LIFT CAPACITY OVER BLADE – BLADE UP | | | | | | | | | | | |
| Lift Point Height [H] | Lift radius [R] (kg) | | | Max. radius [R] (mm) | Lift at max. radius (kg) | Lift radius [R] (kg) | | | | Max. radius [R] (mm) | Lift at max. radius (kg) |
| | 3000 mm | 4000 mm | 5000 mm | | | 3000 mm | 4000 mm | 5000 mm | 6000 mm | | |
| 5000 mm | - | 1950* | - | 4290 | 2010 | - | - | 1510* | - | 5020 | 1480* |
| 4000 mm | - | 1900* | 1550 | 5130 | 1480 | - | - | 1570* | - | 5730 | 1230 |
| 3000 mm | 2700* | 2190* | 1530 | 5620 | 1260 | - | 1800* | 1550 | 1130 | 6170 | 1080 |
| 2000 mm | 3280 | 2090* | 1490 | 5860 | 1150 | 3180* | 2130 | 1490 | 1110 | 6380 | 1000 |
| 1000 mm | 3060 | 1990 | 1430 | 5890 | 1120 | 3120 | 2000 | 1430 | 1080 | 6410 | 970 |
| Ground | 3000 | 1930 | 1400 | 5720 | 1160 | 2980 | 1910 | 1380 | 840 | 6260 | 990 |
| -1000 mm | 3010 | 1910 | 1390 | 5310 | 1280 | 2940 | 1870 | 1350 | - | 5900 | 1070 |
| -2000 mm | 3060 | 1940 | - | 4610 | 1590 | 2960 | 1870 | 1360 | - | 5280 | 1260 |

| STANDARD DIPPERSTICK | | | | | | LONG DIPPERSTICK | | | | | |
|--|----------------------|---------|---------|----------------------|--------------------------|----------------------|---------|---------|---------|----------------------|--------------------------|
| RATED LIFT CAPACITY OVER SIDE – BLADE UP | | | | | | | | | | | |
| Lift Point Height [H] | Lift radius [R] (kg) | | | Max. radius [R] (mm) | Lift at max. radius (kg) | Lift radius [R] (kg) | | | | Max. radius [R] (mm) | Lift at max. radius (kg) |
| | 3000 mm | 4000 mm | 5000 mm | | | 3000 mm | 4000 mm | 5000 mm | 6000 mm | | |
| 5000 mm | - | 1850 | - | 4290 | 1630 | - | - | 1280 | - | 5020 | 1270 |
| 4000 mm | - | 1850 | 1270 | 5130 | 1200 | - | - | 1290 | - | 5730 | 1000 |
| 3000 mm | 2700* | 1780 | 1250 | 5620 | 1020 | - | 1800* | 1260 | 920 | 6170 | 870 |
| 2000 mm | 2550 | 1680 | 1200 | 5860 | 930 | 2670 | 1710 | 1210 | 890 | 6380 | 800 |
| 1000 mm | 2350 | 1580 | 1150 | 5890 | 900 | 2400 | 1590 | 1140 | 860 | 6410 | 780 |
| Ground | 2300 | 1520 | 1120 | 5720 | 930 | 2270 | 1500 | 1100 | 990 | 6260 | 790 |
| -1000 mm | 2300 | 1510 | 1110 | 5310 | 1030 | 2240 | 1460 | 1070 | - | 5900 | 860 |
| -2000 mm | 2350 | 1530 | - | 4610 | 1270 | 2260 | 1470 | 1080 | - | 5280 | 1010 |

| ARTICULATED BOOM | | | | | |
|---|----------------------|---------|---------|----------------------|--------------------------|
| RATED LIFT CAPACITY OVER BLADE – BLADE DOWN | | | | | |
| Lift Point Height [H] | Lift radius [R] (kg) | | | Max. radius [R] (mm) | Lift at max. radius (kg) |
| | 3000 mm | 4000 mm | 5000 mm | | |
| 5000 mm | - | 2350* | - | 4710 | 2300* |
| 4000 mm | 2690* | 2390* | 2120* | 5470 | 2070* |
| 3000 mm | 3630* | 2670* | 2200* | 5920 | 1940* |
| 2000 mm | - | 3030* | 2330* | 6150 | 1850* |
| 1000 mm | - | 3240* | 2410* | 6180 | 1760* |
| Ground | - | 3140* | 2340* | 6020 | 1650* |
| -1000 mm | 3580* | 2740* | 2030* | 5640 | 1047* |

| ARTICULATED BOOM | | | | | |
|---|----------------------|---------|---------|----------------------|--------------------------|
| RATED LIFT CAPACITY OVER BLADE – BLADE UP | | | | | |
| Lift Point Height [H] | Lift radius [R] (kg) | | | Max. radius [R] (mm) | Lift at max. radius (kg) |
| | 3000 mm | 4000 mm | 5000 mm | | |
| 5000 mm | - | 2350* | - | 4710 | 1890 |
| 4000 mm | 2690* | 2390* | 1730 | 5470 | 1470 |
| 3000 mm | 3630* | 2420 | 1700 | 5920 | 1280 |
| 2000 mm | - | 2290 | 1640 | 6150 | 1190 |
| 1000 mm | - | 2180 | 1590 | 6180 | 1170 |
| Ground | - | 2130 | 1550 | 6020 | 1200 |
| -1000 mm | 3350 | 2120 | 1550 | 5640 | 1320 |

| ARTICULATED BOOM | | | | | |
|--|----------------------|---------|---------|----------------------|--------------------------|
| RATED LIFT CAPACITY OVER SIDE – BLADE UP | | | | | |
| Lift Point Height [H] | Lift radius [R] (kg) | | | Max. radius [R] (mm) | Lift at max. radius (kg) |
| | 3000 mm | 4000 mm | 5000 mm | | |
| 5000 mm | - | 2210 | - | 4710 | 1660 |
| 4000 mm | 2690* | 2190 | 1520 | 5470 | 1290 |
| 3000 mm | 3320 | 2110 | 1490 | 5920 | 1120 |
| 2000 mm | - | 1990 | 1440 | 6150 | 1040 |
| 1000 mm | - | 1880 | 1380 | 6180 | 1020 |
| Ground | - | 1830 | 1350 | 6020 | 1050 |
| -1000 mm | 2810 | 1830 | 1350 | 5640 | 1160 |

* Rated hydraulic lift capacity

E85 E85 ARTI — SPECIFICATIONS

E85

E85 ARTI

WEIGHTS

| | | |
|---|-------------------------|-------------------------|
| with ROPS cab, rubber tracks, standard dipperstick, standard bucket (SAE J732): | 8540 kg | 9035 kg |
| weight with heavy counterweight | 8940 kg | - |
| Additional weight for long dipperstick | 60 kg | - |
| Ground pressure with rubber tracks | 0.39 kg/cm ² | 0.39 kg/cm ² |

ENGINE

| | | |
|--------------------------------------|----------------------|----------------------|
| Make/Model | Yanmar/4TNV98C | Yanmar/4TNV98C |
| Fuel/Cooling | Diesel/Liquid | Diesel/Liquid |
| Number of cylinders | 4 | 4 |
| Displacement | 3319 cm ³ | 3319 cm ³ |
| Maximum power at 2200 RPM (DIN 6271) | - | - |
| Maximum power at 2100 RPM (DIN 6271) | 44.3 kW | 44.3 kW |

PERFORMANCE

| | | |
|--|----------|----------|
| Digging force, dipperstick (ISO 6015) | 4.25 ton | 4.25 ton |
| Digging force, long dipperstick (ISO 6015) | 3.57 ton | - |
| Digging force, bucket (ISO 6015) | 5.8 ton | 5.2 ton |
| Drawbar pull | 64.7 kN | 64.7 kN |
| Travel speed, low range | 2.7 km/h | 2.7 km/h |
| Travel speed, high range | 4.7 km/h | 4.7 km/h |

HYDRAULIC SYSTEM

| | | |
|---|--|--------------|
| Pump type | One engine-driven tandem axial piston pump and one engine-driven gear pump | |
| Pump capacity | 151.00 L/min | 151.00 L/min |
| Auxiliary flow | 95.00 L/min | 95.00 L/min |
| System relief pressure for auxiliary circuits | 250.00 bar | 250.00 bar |

SLEW SYSTEM

| | | |
|-------------------|---------|---------|
| Boom swing, left | 70° | 70° |
| Boom swing, right | 55° | 55° |
| Slew rate | 9.5 RPM | 9.5 RPM |

FLUID CAPACITIES

| | | |
|------------------------------------|----------|----------|
| Cooling system | 10.0 L | 10.0 L |
| Engine lubrication plus oil filter | 10.2 L | 10.2 L |
| Fuel reservoir | 110.00 L | 110.00 L |
| Hydraulic system | 148.00 L | 148.00 L |

ENVIRONMENTAL

| | | |
|--|-----------------------|-----------------------|
| Noise level LpA(EU Directive 2000/14/EC) | 71 dB(A) | 71 dB(A) |
| Noise level LWA(EU Directive 2000/14/EC) | 98 dB(A) | 98 dB(A) |
| Whole body vibration (ISO 2631-1) | 0.32 ms ⁻² | 0.32 ms ⁻² |
| Hand-arm vibration (ISO 5349-1) | 0.82 ms ⁻² | 0.82 ms ⁻² |

STANDARD FEATURES E85

| | |
|--|--|
| 2300 mm dozer blade | TOPS/ROPS cab * |
| 450 mm rubber track | Boom & arm safety valves |
| 5.7 inch LCD screen | Harness for rotating beacon |
| Engine/hydraulic monitor with shutdown | Fully adjustable air conditioning |
| Fingertip auxiliary hydraulic control | Overload warning device |
| Control console locks | Sun visor |
| Hydraulic joystick controls | Left rear view mirror |
| Two-speed travel | Electric refueling pump |
| Lockable storage compartment | Auto idle |
| Horn | Auto shift travel |
| Work lights | Auxiliary hydraulics (1st and 2nd circuits) |
| Retractable seat belt | Auxiliary line on arm with quick couplers |
| Suspension seat with high back | Warranty: 24 months, 2000 hours (whichever occurs first) |
| Travel motion alarm | |

OPTIONS

| | |
|---|------------------|
| Steel tracks | Long dipperstick |
| Third auxiliary hydraulic line (Clamshell Piping) | |

* Tip Over Protective Structure (TOPS) – Meets requirements of ISO 12117

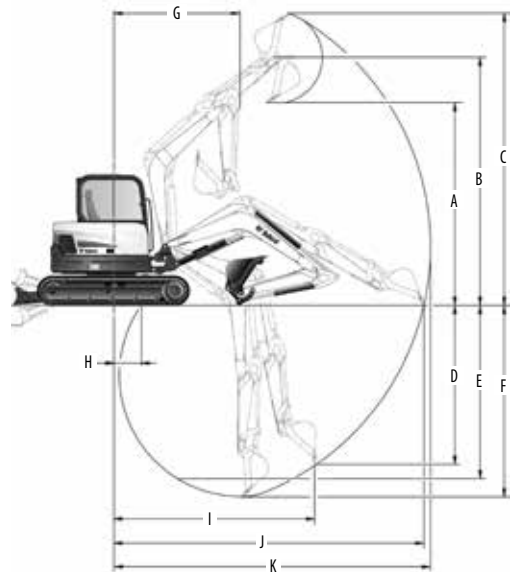


Bobcat is a Doosan Company.

Doosan is a global leader in construction equipment, power & water solutions, engines, and engineering proudly serving customers and communities for more than a century. | Bobcat and the Bobcat logo are registered trademarks of Bobcat Company in the United States and various other countries. ©2019 Bobcat Company. All Rights Reserved.

WORKING RANGE E85

All dimensions in mm. Short/long arm.



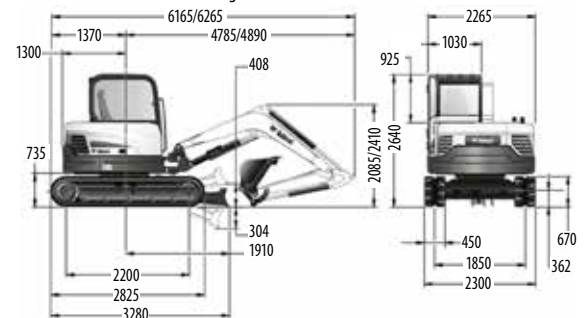
E85

E85 ARTI

| | | | |
|---|-------------|---|------|
| A | 4645 / 4995 | A | 5365 |
| B | 5655 / 6005 | B | 6373 |
| C | 6630 / 6980 | C | 7380 |
| D | 3245 / 3755 | D | 3550 |
| E | 3815 / 4420 | E | 3925 |
| F | 4175 / 4725 | F | 4100 |
| G | 2550 / 2635 | G | 2655 |
| H | 580 / 55 | H | 490 |
| I | 4730 / 4905 | I | 4530 |
| J | 6765 / 7295 | J | 7035 |
| K | 6915 / 7430 | K | 7180 |

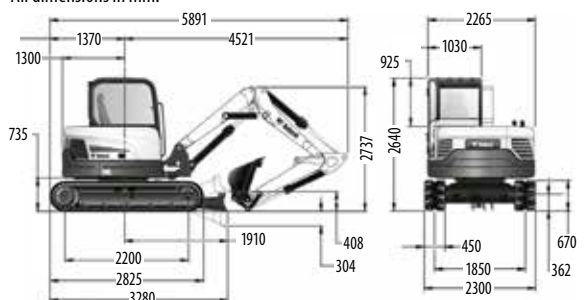
DIMENSIONS E85

All dimensions in mm. Short/long arm.



DIMENSIONS E85 ARTI

All dimensions in mm.



Bobcat®

www.bobcat.com

Certain specification(s) are based on engineering calculations and are not actual measurements. Specification(s) are provided for comparison purposes only and are subject to change without notice. Specification(s) for your individual Bobcat equipment will vary based on normal variations in design, manufacturing, operating conditions, and other factors. Pictures of Bobcat units may show other than standard equipment.

GET **A QUOTE**

Simply click **the button** or scan **the QR code** below to access our quote request form.

We will contact you as soon as possible.
Thank you!



REQUEST QUOTE >