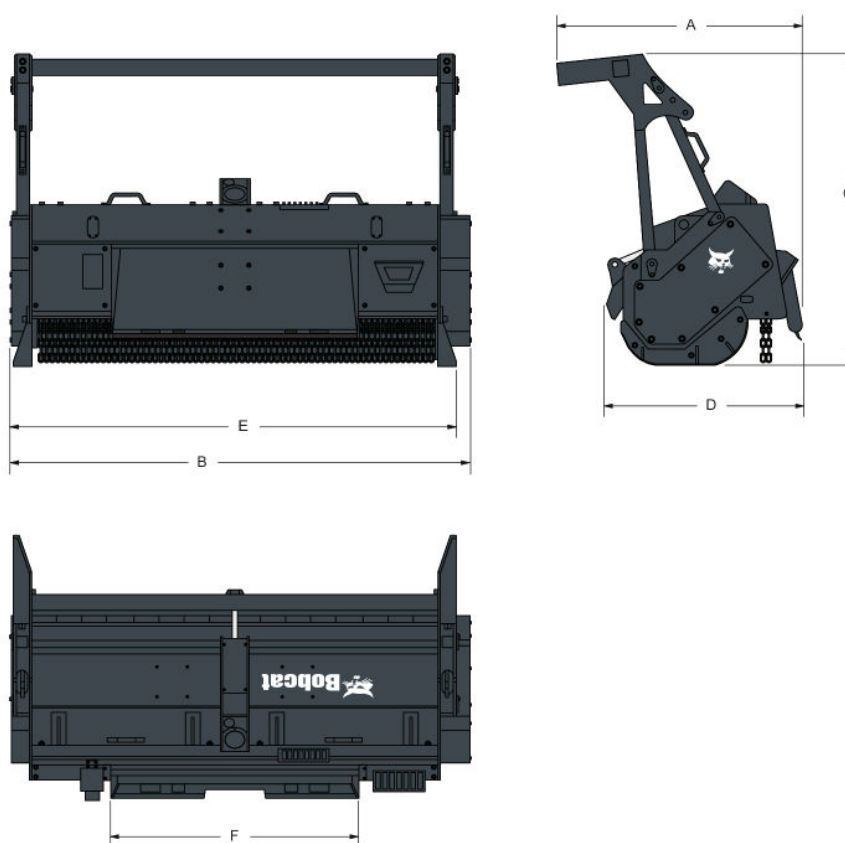


## Description

Take trees and underbrush from unsightly overgrowth to mulch in minutes with the Bobcat® forestry cutter. The forestry cutter leaves a carpet of mulch behind when clearing trees and brush for pre/post disaster mitigation, utility line and road right-of-way maintenance, site preparation, orchard and vineyard maintenance. Use it to cut firebreaks, clean lots and maintain property with ease. The use of the Forestry Cutter attachments requires the Forestry Applications kit to be installed on the loader.

## Dimensions



Description	Item number	Overall length (A) (mm)	Overall width (B) (mm)	Overall height (C) (mm)
FRC150HT	7310677	1219.0	1753.0	1437.0
FRC200HT	7307970	1219.0	2253.0	1437.0
FRC150ST	7310678	1152.0	1751.0	1438.0

## Weights

Description	Item number	Operating weight (kg)	Shipping weight (kg)
FRC150HT	7310677	1050.0	1050.0
FRC200HT	7307970	1270.0	1270.0
FRC150ST	7310678	850.0	850.0

## Characteristics and performance

Description	Item number	Cutting width (mm)	Number of teeth	Tree diameter, continuous use (mm)	Tree diameter, intermittent use (mm)	Tree diameter, occasional removal (mm)
FRC150HT	7310677	1500.0	30	100.0-120.0	180.0-220.0	250.0-300.0
FRC200HT	7307970	2000.0	36	100.0-120.0	180.0-220.0	250.0-300.0
FRC150ST	7310678	1500.0	30	100.0-120.0	150.0-200.0	220.0-260.0

## Main features

- Provides you a complete tree and brush management package
- Cut higher trees and limbs down to size - Grind trees from top to bottom - Produce mulch
- Spiral tooth pattern allows one tooth to engage at a time for smoother operation and less horsepower demand
- Double-tipped carbide teeth efficiently rip through hard and soft woods, provide long life
- Can operate below grade to process mulch into the soil
- Pressure gauge is visible from the seat to help operator run the attachment at peak efficiency
- The standard front gate can reduce front discharge of material and can promote longer processing into finer mulch
- The Bobcat® Forestry Applications Kit protects the operator and the machine

## Applications

- Forestry
- Landscaping

## Loader Compatibility

Description	Item number	Compatible with loader	Functional requirements
FRC150HT	7310677	A770-E, A770-B, T770E IV, T770E T3, T770B T3, T870E IV, T870B T3, S770E IV, S770E T3, S770B T3, S850E IV, S850E T3, S850B T3, A770E IV	-
FRC200HT	7307970	A770-E, A770-B, T770E IV, T770E T3, T770B T3, T870E IV, T870B T3, S770E IV, S770E T3, S770B T3, S850E IV, S850E T3, S850B T3, A770E IV	-
FRC150ST	7310678	T590E IIIB, T590B iT4, T650E iT4, T650B iT4, S630E iT4, S630B iT4, T590E V, S76, T66, T76, S630B iT4, S650B iT4	-

**Accessories For Loader-Compatible Attachments**

Description	Item number	Compatible with attachment	Functional requirements
Engine Compartment Seal Kit	7179952	7310677 Forestry Cutter FRC150HT (Variable Motor),7307970 Forestry Cutter FRC200HT (Variable Motor),7310678 Forestry Cutter FRC150ST	-
KIT FORESTRY	7257723	7310677 Forestry Cutter FRC150HT (Variable Motor),7307970 Forestry Cutter FRC200HT (Variable Motor),7310678 Forestry Cutter FRC150ST	-
KIT, FORESTRY APPLICATION	7230523	7310677 Forestry Cutter FRC150HT (Variable Motor),7307970 Forestry Cutter FRC200HT (Variable Motor),7310678 Forestry Cutter FRC150ST	-

# BE OM **EN OFFERT**

Klicka bara på **knappen** eller skanna **QR-koden** nedan för åtkomst till vårt offertformulär.

Vi kontaktar dig så snart som möjligt. Tack!



**BEGÄR OFFERT**

