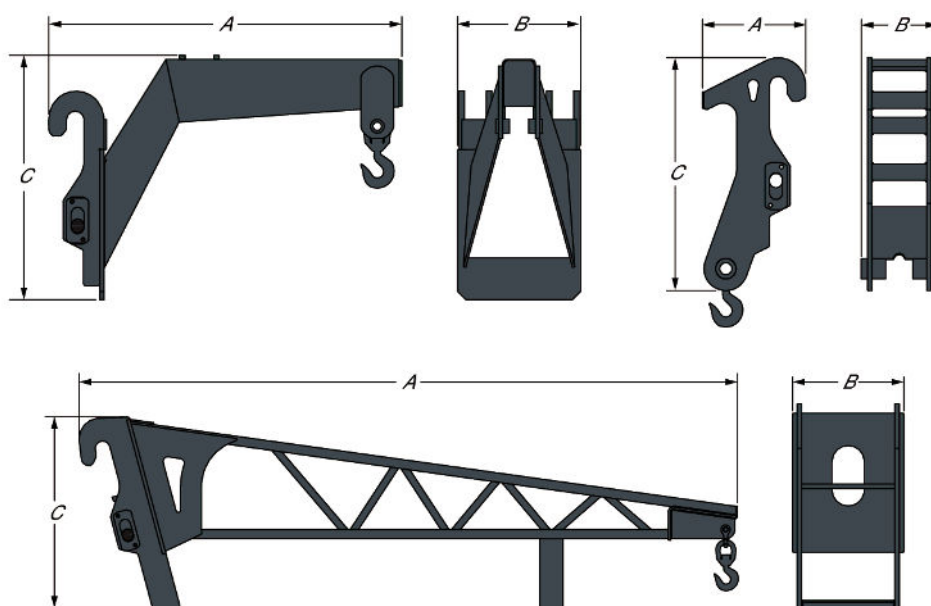


## Description

Add a crane jib and your telescopic handler is turned into a crane, but with all the advantages of its mobility and versatility

## Dimensions



Description	Item number	Overall Length (A) (mm)	Overall Width (B) (mm)	Overall Height (C) (mm)
Extension Jib 3.7 m with Hook QT	7238827	3700.0	940.0	-
Extension Jib With Hook L = 2.5 m (1.2 t)	7190466	2500.0	480.0	825.0
Extension jib w/hook L=4.5m (0.6 t)	7190472	4978.0	550.0	917.0
Positive/Negative Jib with Man Platform	7254896	-	-	-
Crane Jib 4.1 t - 0.7 m QT	7235647	-	830.0	-
Crane Jib 4.1 t - 0.7 m MT	7204108	-	830.0	-

## Weights

Description	Item number	Operating weight (kg)	Shipping weight (kg)
Extension Jib 3.7 m with Hook QT	7238827	200.0	200.0
Extension Jib With Hook L = 2.5 m (1.2 t)	7190466	185.0	185.0
Extension jib w/hook L=4.5m (0.6 t)	7190472	260.0	260.0
Positive/Negative Jib with Man Platform	7254896	792.0	792.0

Description	Item number	Operating weight (kg)	Shipping weight (kg)
Crane Jib 4.1 t - 0.7 m QT	7235647	177.0	177.0
Crane Jib 4.1 t - 0.7 m MT	7204108	177.0	177.0

### Characteristics and performance

Description	Item number	Capacity (kg)
Extension Jib 3.7 m with Hook QT	7238827	700.0
Extension Jib With Hook L = 2.5 m (1.2 t)	7190466	1200.0
Extension jib w/hook L=4.5m (0.6 t)	7190472	600.0
Positive/Negative Jib with Man Platform	7254896	200.0
Crane Jib 4.1 t - 0.7 m QT	7235647	4100.0
Crane Jib 4.1 t - 0.7 m MT	7204108	4100.0

### Applications

- Construction and Demolition
- Lifting and Handling

**Telescopic Compatibility**

Description	Item number	Compatible with telescopic	Functional requirements
Extension Jib 3.7 m with Hook QT	7238827	T35.105 100 IV, T35.105 100 IIIA, T35.105L 100 IV, T35.105L 100 IIIA, T36.120SL 100 IV, T36.120SL 100 IIIA, T35.130S 100 IV, T35.130S 100 IIIA, T35.130SLP 100 IV, T35.130SLP 100 IIIA, T35.140S 100 IV, T35.140S 100 IIIA, T41.140SLP 100 IV, T41.140SLP 100 IIIA, T40.180SLP 100 IV, T40.180SLP 100 IIIA, T35.105 75 V, T35.105L 75 V, T36.120SL 75 V, T35.130S 75 V, T35.130SLP 75 V, T35.140S 75 V, T41.140SLP 75 V, T40.180SLP 75 V, T35.105 100 IIIA R-Series, T35.105 100 V R-Series, T35.105 75 V R-Series, T35.105L 100 IIIA R-Series, T35.105L 100 V R-Series, T35.105L 75 V R-Series, T36.120SL 100 IIIA R-Series, T36.120SL 100 V R-Series, T36.120SL 75 V R-Series, T35.130S 100 IIIA R-Series, T35.130S 100 V R-Series, T35.130S 75 V R-Series, T35.130SLP 100 IIIA R-Series, T35.130SLP 100 V R-Series, T35.130SLP 75 V R-Series, T35.140S 100 IIIA R-Series, T35.140S 100 V R-Series, T35.140S 75 V R-Series, T40.180SLP 100 IIIA R-Series, T40.180SLP 100 V R-Series, T40.180SLP 75 V R-Series, T41.140SLP 100 IIIA R-Series, T41.140SLP 100 V R-Series, T41.140SLP 75 V R-Series	-
Extension Jib With Hook L = 2.5 m (1.2 t)	7190466	TR38160EVO IIIA, TR38160EVO IIIB, TR50190EVO IIIB, TR50210EVO IIIA, TR50210EVO IIIB, TR40250EVO IIIA, TR40250EVO IIIB	-
Extension jib w/hook L=4.5m (0.6 t)	7190472	TR38160EVO IIIA, TR38160EVO IIIB, TR50190EVO IIIB, TR50210EVO IIIA, TR50210EVO IIIB, TR40250EVO IIIA, TR40250EVO IIIB	-

<b>Description</b>	<b>Item number</b>	<b>Compatible with telescopic</b>	<b>Functional requirements</b>
Positive/Negative Jib with Man Platform	7254896	TR38160EVO IIIA, TR38160EVO IIIB, TR50210EVO IIIA, TR50210EVO IIIB, TR40250EVO IIIA, TR40250EVO IIIB	-

Description	Item number	Compatible with telescopic	Functional requirements
Crane Jib 4.1 t - 0.7 m QT	7235647	TL30.70 AGRI Low Cab 100 IV, TL30.70 AGRI High Cab 100 IV, TL35.70 AGRI 100 IIIA, TL38.70HF AGRI 130 IIIA, TL26.60 High Cab 100 IV, TL26.60 Low Cab 100 IV, TL26.60 Low Cab 100 IIIA, TL30.60 High Cab 100 IV, TL30.60 Low Cab 100 IV, TL30.60 High Cab 100 IIIA, TL30.60 Low Cab 100 IIIA, TL30.70 High Cab 100 IIIA, TL30.70 High Cab 100 IV, TL30.70 Low Cab 100 IV, TL34.65HF 130 IV, TL35.70 100 IIIA, TL35.70 100 IV, TL38.70HF 130 IIIA, TL38.70HF 130 IV, TL43.80HF IIIA, TL43.80HF IV, T35.105 100 IV, T35.105 100 IIIA, T35.105L 100 IV, T35.105L 100 IIIA, T36.120SL 100 IV, T36.120SL 100 IIIA, T35.130S 100 IV, T35.130S 100 IIIA, T35.130SLP 100 IV, T35.130SLP 100 IIIA, T35.140S 100 IV, T35.140S 100 IIIA, T41.140SLP 100 IV, T41.140SLP 100 IIIA, T40.180SLP 100 IV, T40.180SLP 100 IIIA, TL30.60 Low Cab 75 V, TL30.60 High Cab 75 V, TL30.70 Low Cab 75 V, TL26.60 High Cab 75 V, TL26.60 Low Cab 75 V, TL30.70 High Cab 75 V, T35.105 75 V, T35.105L 75 V, T36.120SL 75 V, T35.130S 75 V, T35.130SLP 75 V, T35.140S 75 V, T41.140SLP 75 V, T40.180SLP 75 V, TL26.60 100 High Cab IIIA R-Series, TL26.60 100 High Cab V R-Series, TL26.60 100 Low Cab IIIA R-Series, TL26.60 100 Low Cab V R-Series, TL26.60 75 High Cab V R-Series, TL26.60 75 Low Cab V R-Series, TL30.60 100 High Cab IIIA R-Series, TL30.60 100 High Cab V R-Series, TL30.60 100 Low Cab IIIA R-Series, TL30.60 100 Low Cab V R-Series, TL30.60 75 High Cab V R-Series, TL30.60 75 Low Cab V R-Series, TL30.70 100 High Cab IIIA R-Series, TL30.70 100 High Cab V R-Series, TL30.70 100 Low Cab IIIA R-Series, TL30.70 100 Low Cab V R-Series, TL30.70 75 High Cab V R-Series, TL34.65HF 135 V R-Series, TL35.70 100 IIIA R-Series, TL35.70	-

Description	Item number	Compatible with telescopic	Functional requirements
Crane Jib 4.1 t - 0.7 m MT	7204108	TL30.60 AGRI Low Cab 100 IV, TL26.60 High Cab 100 IIIA, TL30.60 AGRI High Cab 100 IIIA, TL30.60 AGRI Low Cab 100 IIIA, TL30.70 AGRI Low Cab 100 IV, TL30.70 AGRI High Cab 100 IV, TL35.70 AGRI 100 IIIA, TL38.70HF AGRI 130 IIIA, TL26.60 High Cab 100 IV, TL26.60 Low Cab 100 IV, TL26.60 Low Cab 100 IIIA, TL30.60 High Cab 100 IV, TL30.60 Low Cab 100 IV, TL30.60 High Cab 100 IIIA, TL30.60 Low Cab 100 IIIA, TL30.70 High Cab 100 IIIA, TL30.70 High Cab 100 IV, TL30.70 Low Cab 100 IV, TL34.65HF 130 IV, TL35.70 100 IIIA, TL35.70 100 IV, TL38.70HF 130 IIIA, TL38.70HF 130 IV, TL43.80HF IIIA, TL43.80HF IV, T35.130S 100 IV, T35.130S 100 IIIA, T35.130SLP 100 IV, T35.130SLP 100 IIIA, T35.140S 100 IV, T35.140S 100 IIIA, T41.140SLP 100 IV, T41.140SLP 100 IIIA, T40.180SLP 100 IV, T40.180SLP 100 IIIA, TL30.60 Low Cab 75 V, TL30.60 High Cab 75 V, TL30.70 Low Cab 75 V, TL26.60 High Cab 75 V, TL26.60 Low Cab 75 V, TL30.70 High Cab 75 V, T35.130S 75 V, T35.130SLP 75 V, T35.140S 75 V, T41.140SLP 75 V, T40.180SLP 75 V, TL26.60 100 High Cab IIIA R-Series, TL26.60 100 High Cab V R-Series, TL26.60 100 Low Cab IIIA R-Series, TL26.60 100 Low Cab V R-Series, TL26.60 75 High Cab V R-Series, TL26.60 75 Low Cab V R-Series, TL30.60 100 High Cab IIIA R-Series, TL30.60 100 High Cab V R-Series, TL30.60 100 Low Cab IIIA R-Series, TL30.60 100 Low Cab V R-Series, TL30.60 75 High Cab V R-Series, TL30.60 75 Low Cab V R-Series, TL30.70 100 High Cab IIIA R-Series, TL30.70 100 High Cab V R-Series, TL30.70 100 Low Cab IIIA R-Series, TL30.70 100 Low Cab V R-Series, TL30.70 75 High Cab V R-Series, TL30.70 75 Low Cab V R-Series, TL34.65HF 135 V R-Series, TL35.70 100 IIIA R-Series, TL35.70 100 V R-Series, TL38.70HF	-

# BE OM **EN OFFERT**

Klicka bara på **knappen** eller skanna **QR-koden** nedan för åtkomst till vårt offertformulär.

Vi kontaktar dig så snart som möjligt. Tack!



**BEGÄR OFFERT**

