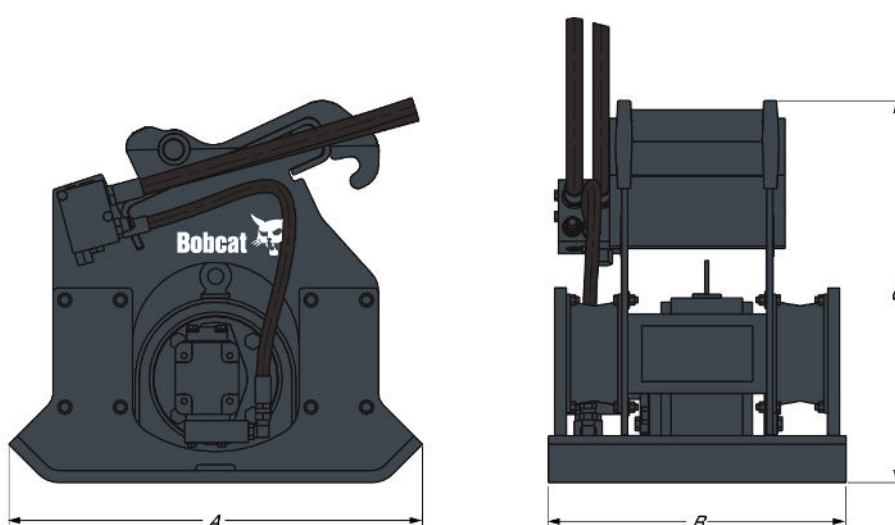


### Description

Mounted at the end of the excavator boom, the plate compactor can reach the bottom of trenches. This tool can also drive piles when building retaining walls. This attachment allows you to quickly handle a project requiring compaction with no need for a labourer in the trench with a hand operated compactor. It is an alternative to a walk behind unit or remote controlled roller compactors.

### Dimensions



Description	Item number	Overall length (A) (mm)	Overall width (B) (mm)	Overall height (C) (mm)
PCF64 Plate Compactor	7210256	-	-	-

### Weights

Description	Item number	Operating weight (kg)	Shipping weight (kg)
PCF64 Plate Compactor	7210256	388.0	388.0

### Characteristics and performance

Description	Item number	Centrifugal force (kN)	Minimum flow (L/min)	Frequency (min-1)
PCF64 Plate Compactor	7210256	28.5	49.0	2000.0

### Main features

- 4 outboard shock mounts : 1) Distribute vibration evenly 2) Helps keep compactor level 3) Increases stability 4) Improves compaction efficiency, extends component life
- Better compaction than hand-held compactors.
- Operator comfort better vs. hand-held models.
- Compact hard to reach areas - trenches/slopes.

## Applications

- Construction and Demolition
- Landscaping
- Road work, Recycling and Cleaning

## Excavator Compatibility

Description	Item number	Compatible with excavator	Functional requirements
PCF64 Plate Compactor	7210256	E85 (EU only)	-

## Accessories For Excavator-Compatible Attachments

Description	Item number	Compatible with attachment	Functional requirements
X-CHANGE MOUNTING CAP	7210254	7210256 PCF64 PLATE COMPACTOR	-
HOSE KIT Compactor	7217836	7210256 PCF64 PLATE COMPACTOR	-

# BE OM **EN OFFERT**

Klicka bara på **knappen** eller skanna **QR-koden** nedan för åtkomst till vårt offertformulär.

Vi kontaktar dig så snart som möjligt. Tack!



**BEGÄR OFFERT**

