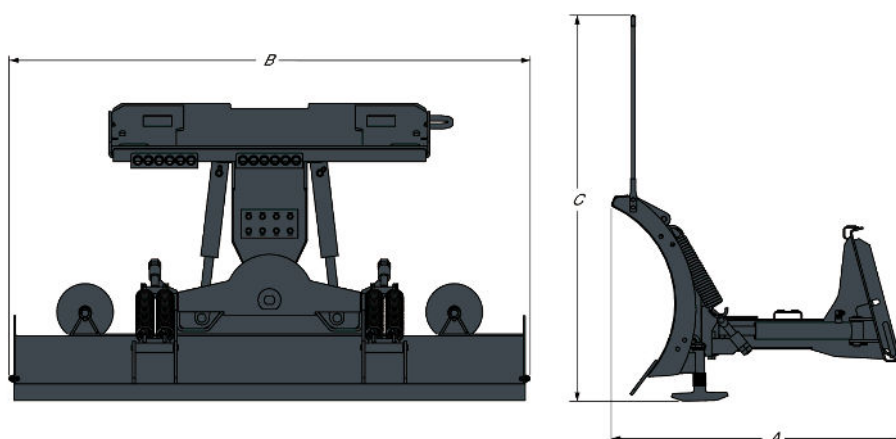


## Description

An excellent way to quickly remove light or moderate snow from sidewalks and driveways. Moldboard angles right or left up to 30 degrees. High visibility masts help locate blade corners.

## Dimensions



Description	Item number	Overall length (A) (mm)	Overall width (B) (mm)	Overall height (C) (mm)
Snow Blade 152 cm	6906107	1067.0	1524.0	711.0
Snow Blade 183 cm	6905156	1067.0	1829.0	711.0
Snow Blade 213 cm	6716836	1067.0	2134.0	711.0
Snow Blade 244 cm	6716838	1067.0	2438.0	711.0
Snow Blade HD 218 cm	7207861	-	2180.0	-
Snow Blade HD 244 cm	7207862	-	2440.0	-
Snow Blade HD 274	7207863	-	2740.0	-

## Weights

Description	Item number	Operating weight (kg)	Shipping weight (kg)
Snow Blade 152 cm	6906107	263.0	263.0
Snow Blade 183 cm	6905156	268.0	268.0
Snow Blade 213 cm	6716836	281.0	281.0
Snow Blade 244 cm	6716838	299.0	299.0
Snow Blade HD 218 cm	7207861	367.0	367.0
Snow Blade HD 244 cm	7207862	393.0	393.0
Snow Blade HD 274	7207863	430.0	430.0

## Performance and characteristics

Description	Item number	Working width (fully angled) (mm)	Cutting Edge (mm)	Cylinders	Trip springs	Optional rubber cutting edge
Snow Blade 152 cm	6906107	1321.0	9.5 x 152.4	2	4	25.4 x 152.4
Snow Blade 183 cm	6905156	1600.0	9.5 x 152.4	2	4	25.4 x 152.4
Snow Blade 213 cm	6716836	1854.0	9.5 x 152.4	2	4	25.4 x 152.4
Snow Blade 244 cm	6716838	2108.0	9.5 x 152.4	2	4	25.4 x 152.4
Snow Blade HD 218 cm	7207861	1890.0	9.5 x 152.4	1	4	25.4 x 152.4
Snow Blade HD 244 cm	7207862	2110.0	9.5 x 152.4	1	4	25.4 x 152.4
Snow Blade HD 274	7207863	2370.0	12.7 x 152.4	1	4	25.4 x 152.4

## Main features

- Powerful hydraulic cylinders angle the snow blades 30° either side, helping you to move snow where you want it
- The blade angle is adjusted from the cab using fingertip controls
- The Bobcat moldboard has a spring trip for component protection in the event of hitting a side walk or large stone
- Adjustable depth shoes are standard equipment
- High-visibility masts are provided to help you locate blade corners and have better visibility of the blade position
- Strong, high-carbon steel cutting edge for long life
- Optional rubber cutting edge to protect pavement surfaces available through Bobcat Parts for 5- to 8-foot models
- Optional end wing kit turns Bobcat snow blades into snow pushers (end wing kit available for 7-foot and 8-foot models only)
- Quick loader hook-up with the exclusive Bob-Tach™ mounting system

## Loader Compatibility

Description	Item number	Compatible with loader	Functional requirements
Snow Blade 152 cm	6906107	T110-B, T450E IIIB, S100E, S450E IIIA, S450B T2, S510E IIIA, S510B, S530E IIIA, S530B, S550E IIIB, S550B iT4, S570B iT4, S590E IIIB, S590B iT4, S450 V, S510E V, S530E V, T450E V, S66, S510B, S530B, S550E V, S590E V, L28, L23	-

Description	Item number	Compatible with loader	Functional requirements
Snow Blade 183 cm	6905156	T110-B, T450E IIIB, S100E, S450E IIIA, S450B T2, S510E IIIA, S510B, S530E IIIA, S530B, S550E IIIB, S550B iT4, S570B iT4, S590E IIIB, S590B iT4, S630E iT4, S630B iT4, S450 V, S510E V, S530E V, T450E V, S66, S76, S510B, S530B, S550E V, S590E V, S630B iT4, S650B iT4	-
Snow Blade 213 cm	6716836	A770-B, T450E IIIB, S450E IIIA, S450B T2, S510E IIIA, S510B, S530E IIIA, S530B, S550E IIIB, S550B iT4, S570B iT4, S590E IIIB, S590B iT4, S630E iT4, S630B iT4, S770E IV, S770E T3, S770B T3, A770E IV, S450 V, S510E V, S530E V, T450E V, S66, S76, S510B, S530B, S550E V, S590E V, S630B iT4, S650B iT4	-
Snow Blade 244 cm	6716838	A770-B, S530E IIIA, S530B, S550E IIIB, S550B iT4, S570B iT4, S590E IIIB, S590B iT4, S630E iT4, S630B iT4, S770E IV, S770E T3, S770B T3, A770E IV, S530E V, S66, S76, S530B, S630B iT4, S650B iT4	-
Snow Blade HD 218 cm	7207861	A770-B, T450E IIIB, T590E IIIB, T590B iT4, T650E iT4, T650B iT4, T770E IV, T770E T3, T770B T3, S450E IIIA, S450B T2, S510E IIIA, S510B, S530E IIIA, S530B, S550E IIIB, S550B iT4, S570B iT4, S590E IIIB, S590B iT4, S630E iT4, S630B iT4, S770E IV, S770E T3, S770B T3, A770E IV, S450 V, S510E V, S530E V, T590E V, T450E V, S66, S76, T66, T76, S510B, S530B, S550E V, S590E V, S630B iT4, S650B iT4	-

Description	Item number	Compatible with loader	Functional requirements
Snow Blade HD 244 cm	7207862	A770-B, T450E IIIB, T590E IIIB, T590B iT4, T650E iT4, T650B iT4, T770E IV, T770E T3, T770B T3, T870E IV, T870B T3, S530E IIIA, S530B, S550E IIIB, S550B iT4, S570B iT4, S590E IIIB, S590B iT4, S630E iT4, S630B iT4, S770E IV, S770E T3, S770B T3, S850E IV, S850E T3, S850B T3, A770E IV, S530E V, T590E V, T450E V, S66, S76, T66, T76, S530B, S630B iT4, S650B iT4	-
Snow Blade HD 274	7207863	A770-B, T650E iT4, T650B iT4, T770E IV, T770E T3, T770B T3, T870E IV, T870B T3, S630E iT4, S630B iT4, S770E IV, S770E T3, S770B T3, S850E IV, S850E T3, S850B T3, A770E IV, S76, T76, S630B iT4, S650B iT4	-

### Applications

- Snow Removal

### Accessories For Loader-Compatible Attachments

Description	Item number	Compatible with attachment	Functional requirements
End Wing Kit For 84i 96i Snowblade	6716834	6716836 Snow Blade 213cm, 6716838 Snow Blade 244cm	-
End Wing kit HD	7165988	7161181 MI SNOWBLADE 96HD, 7161174 Snow Blade HD 274cm	-

# BE OM **EN OFFERT**

Klicka bara på **knappen** eller skanna **QR-koden** nedan för åtkomst till vårt offertformulär.

Vi kontaktar dig så snart som möjligt. Tack!



**BEGÄR OFFERT**

