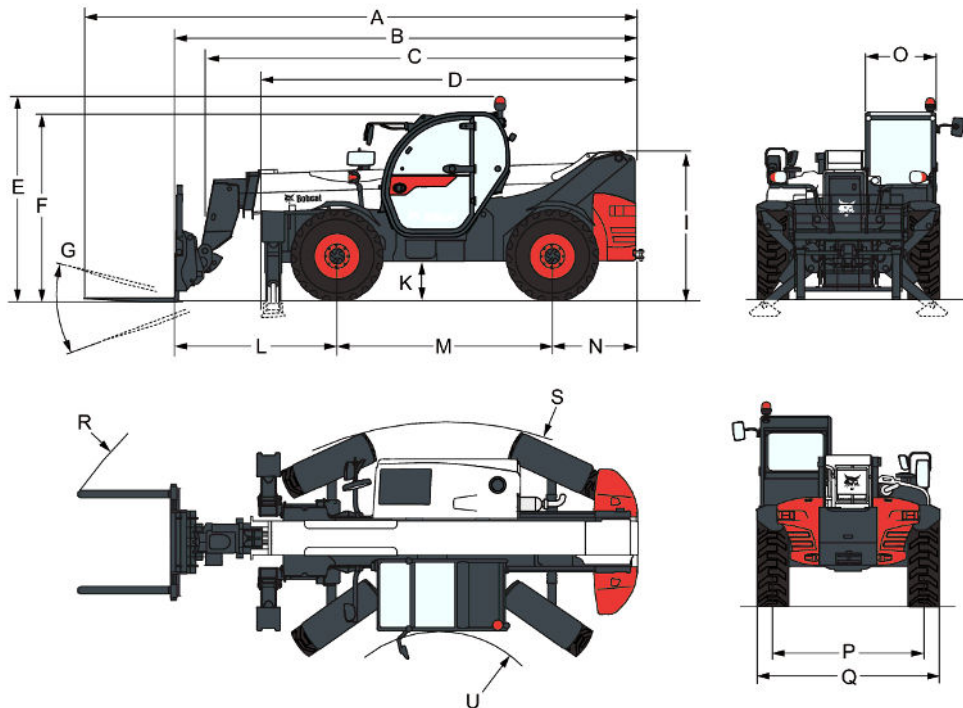
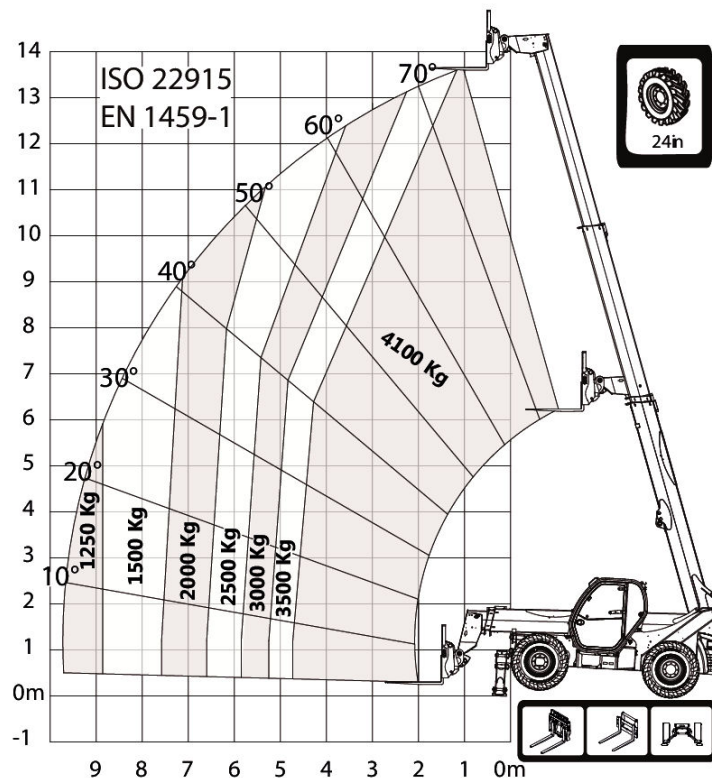
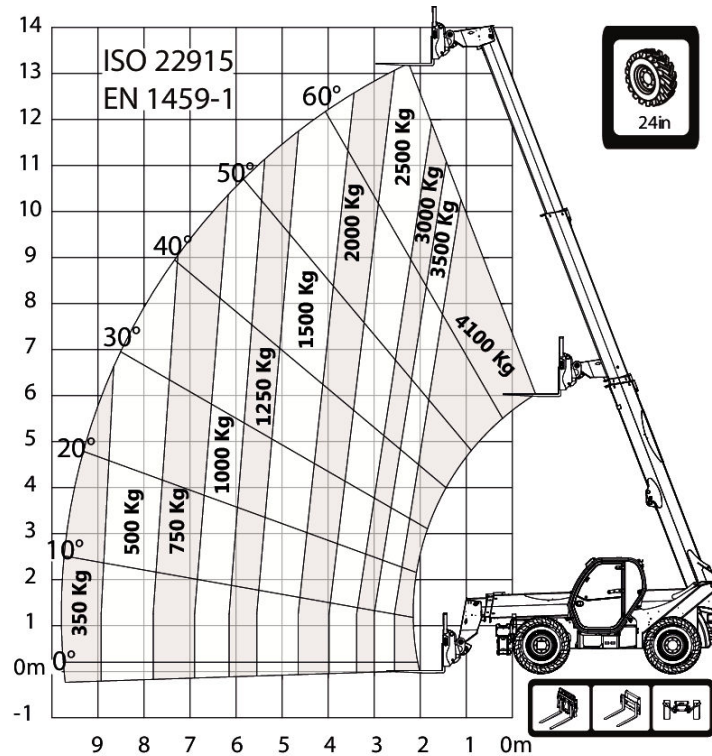
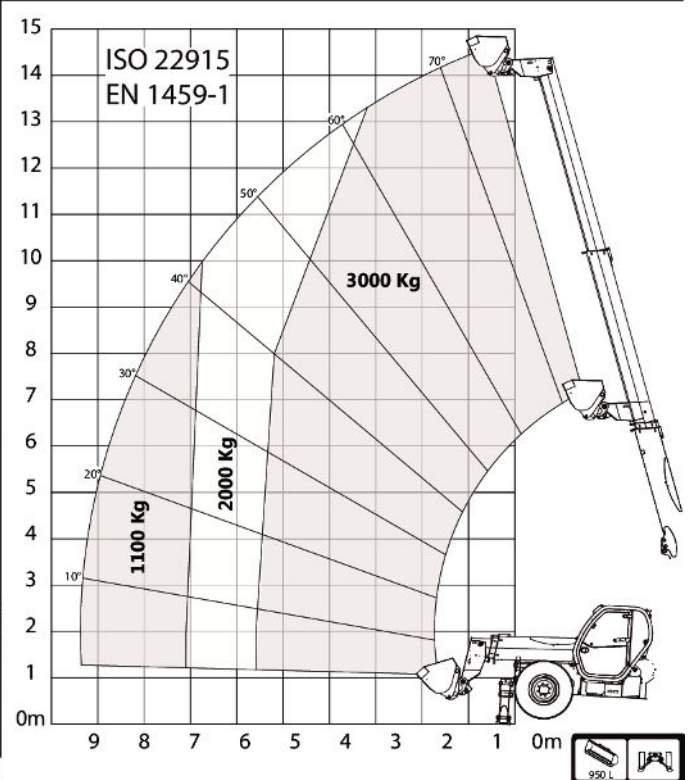
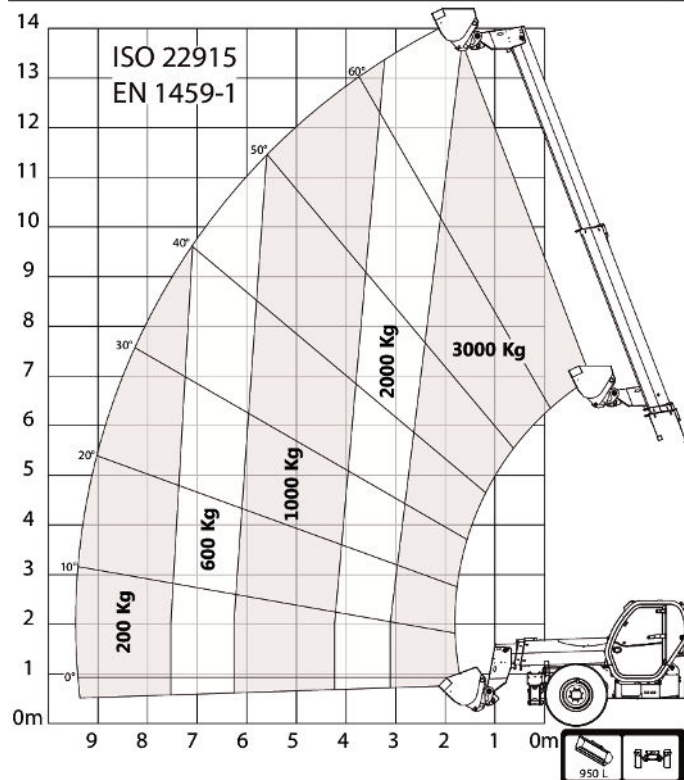
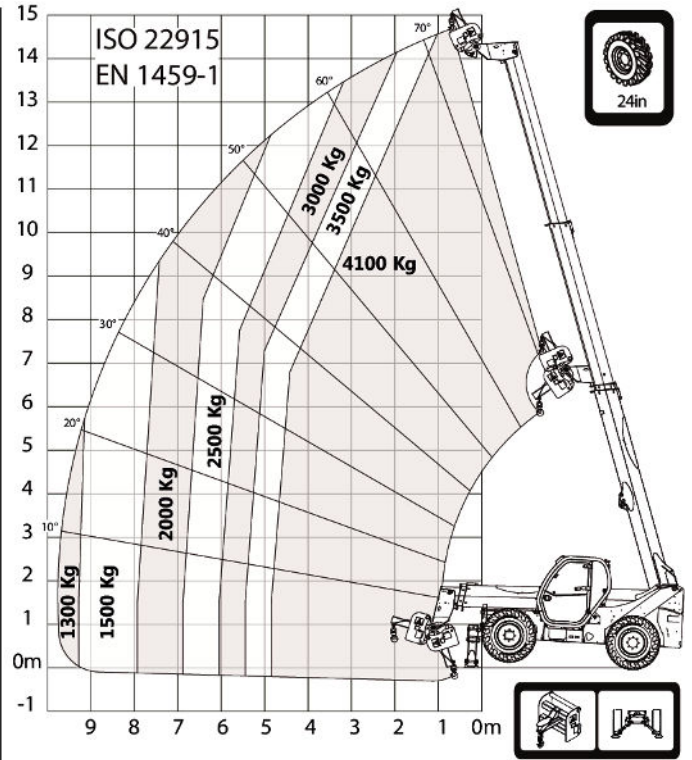
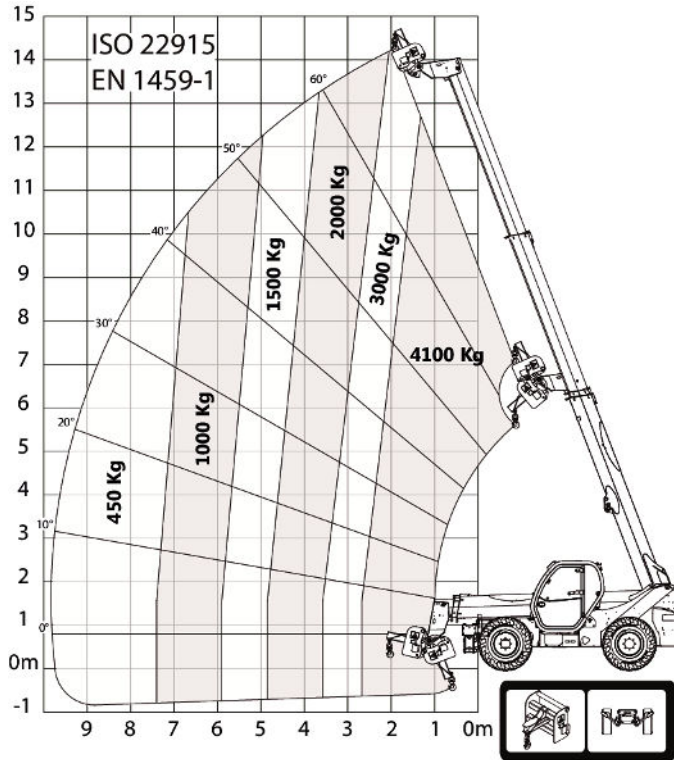


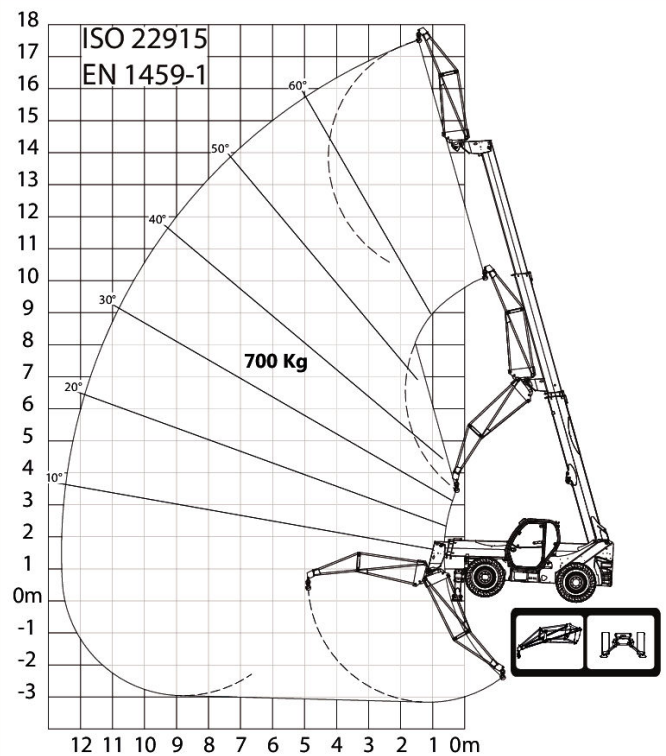
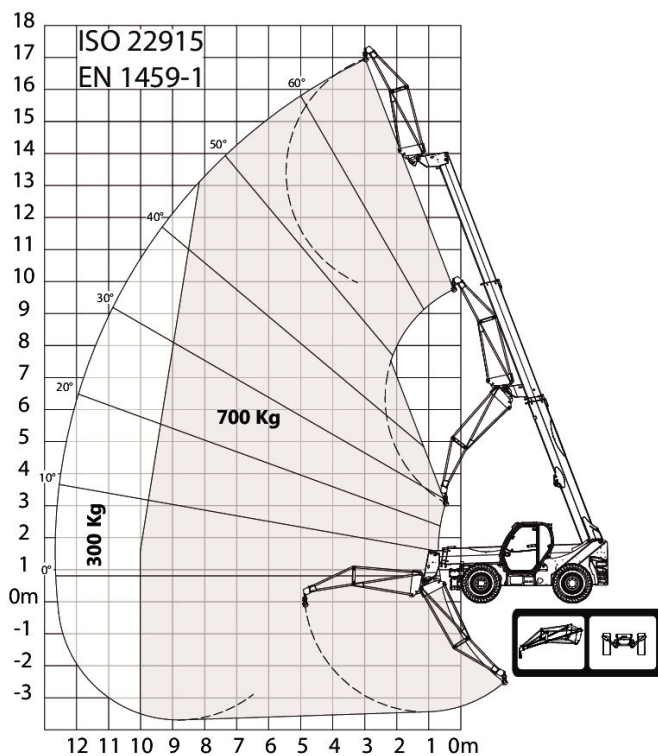
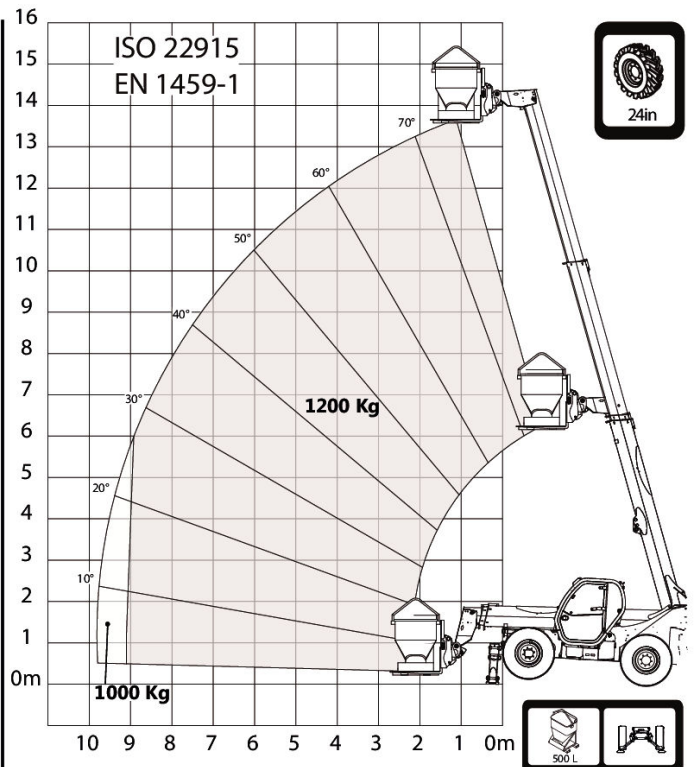
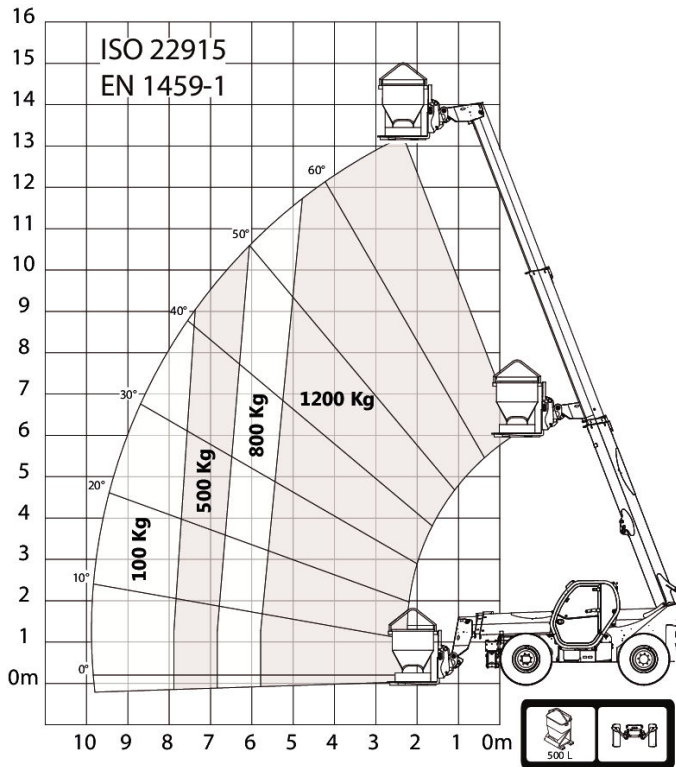
## Dimensions

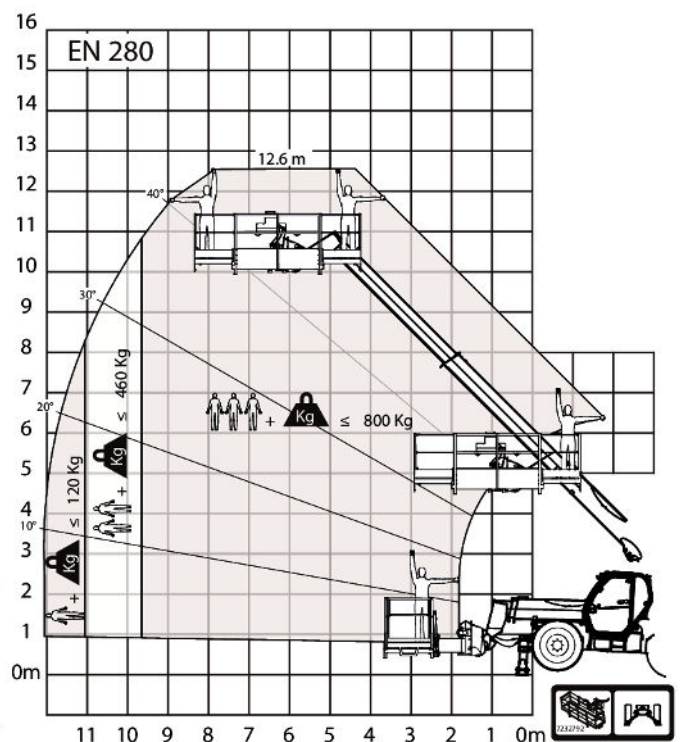
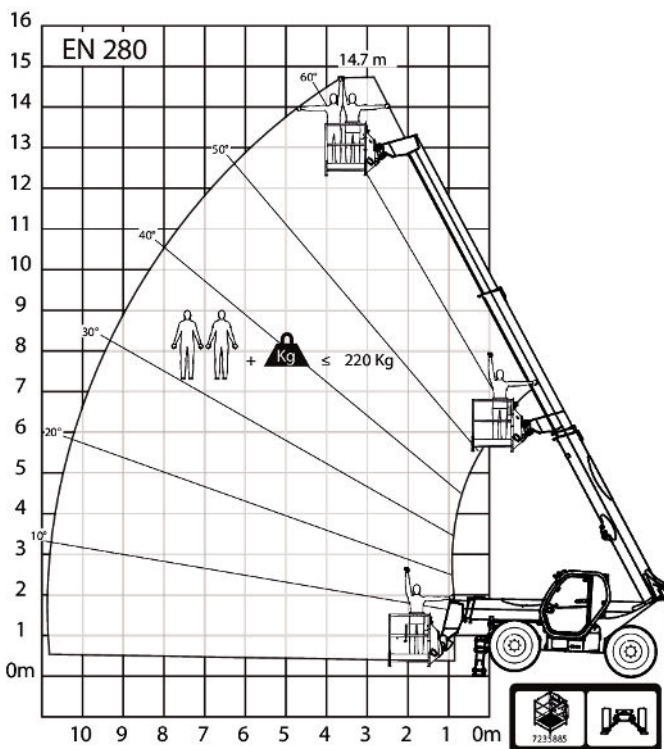
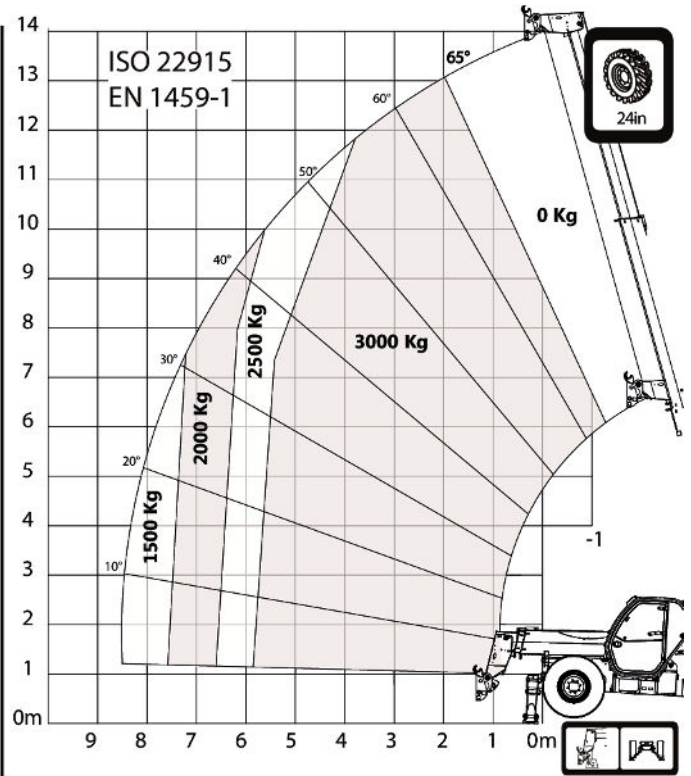
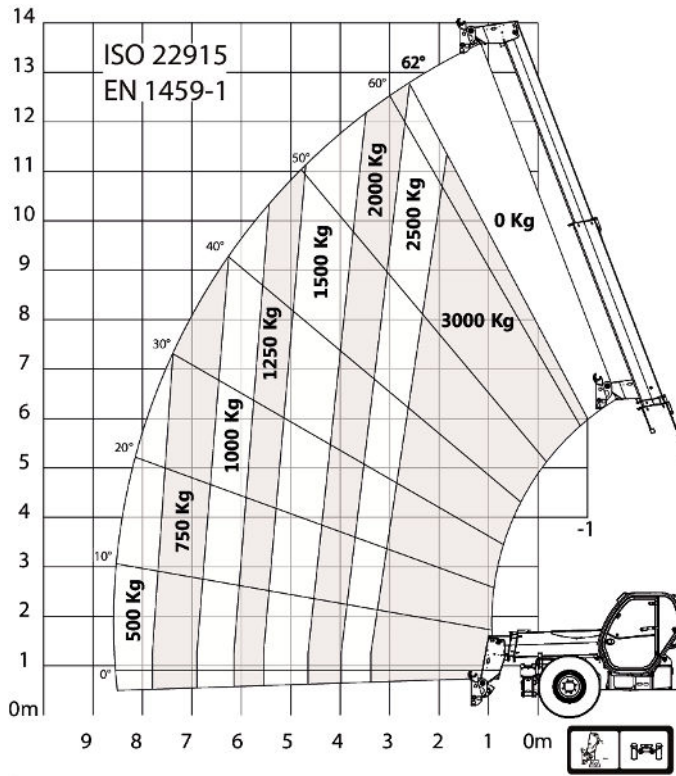


|  |           |
|--|-----------|
| (A) Overall length (to forks tip)  | 7313.0 mm |
| (B) Overall length (to forks face)   | 6108.0 mm |
| (C) Overall length (to headstock pin)  | 5709.0 mm |
| (D*) Overall length (to front tyres 24" / Stabilizers (when equipped))       | 4950.0 mm |
| (E*) Overall height with 24" tyres (with rotating beacon)                    | 2673.0 mm |
| (F*) Overall height with 24" tyres (with roof wiper)                         | 2520.0 mm |
| (I*) Height back of the machine with 24" tyres                               | 1956.0 mm |
| (K*) Ground clearance with 24" tyres   | 509.0 mm  |
| (L) Length - Front axle to forks face  | 2151.0 mm |
| (M) Wheelbase  | 2850.0 mm |
| (N) Length - Rear axle to machine rear                                       | 1107.0 mm |
| (O) Operator cab outside width   | 930.0 mm  |
| (P) Track width  | 1992.0 mm |
| (Q) Width over standard tyres  | 2418.0 mm |
| (S*) External turning radius with 24" tyres (at tyres)                       | 4150.0 mm |
| (U*) Internal turning radius with 24" tyres (cab)                            | 1519.0 mm |
| (R*) External turning radius with 24" tyres (with forks spaced 1040 mm ext.) | 5745.0 mm |
| (G) Carriage rotation angle  | 124.0°    |

**Lastdiagram**


**Lastdiagram**


**Med gafflar och 405/70x20 standarddäck, på stödben**


**Med gafflar och 405/70x20 standarddäck**


## Performance

---

|   |            |
|---|------------|
| Tilt Breakout force                           | 12300 daN  |
| Dragstång dragkraft (24-tumsdäck)             | 4900 daN   |
| Max. gradeability (24" tyres)                 | 29.0°      |
| Max. gradeability with rated load (24" tyres) | 20.0°      |
| Rated capacity                                | 4100 kg    |
| Capacity (at max. height on tyres)            | 2500 kg    |
| Kapacitet vid max räckvidd (24-tumsdäck)      | 1250 kg    |
| Kapacitet vid max-höjd på stödben             | 3500 kg    |
| Kapacitet vid max räckvidd på stödben         | 1000 kg    |
| Lyfthöjd (24-tumsdäck)                        | 13300.0 mm |
| Lyfthöjd på stödben (24-tumsdäck)             | 13656.0 mm |
| Max räckvidd (24-tumsdäck)                    | 9449.0 mm  |
| Max. reach on stabilizers (24" tyres)         | 9720.0 mm  |
| Reach at max height on tyres (24" tyres)      | 2087.0 mm  |
| Leveling - Boom lift angle < 50°              | 4.0°       |
| Leveling - Boom lift angle > 50°              | 2.0°       |
| Side shift - Boom down Retracted              | 250.0 mm   |
| Side shift - Boom at max reach Extended       | 800.0 mm   |
| Side shift - Boom up 50° Retracted            | 850.0 mm   |
| Side shift - Boom up 50° Extended             | 1900.0 mm  |
| Side shift - Boom max angle Extended          | 1050.0 mm  |

## Cykeltider

---

|                 |        |
|-----------------|--------|
| Boom raising    | 14.0 s |
| Boom lowering   | 8.5 s  |
| Boom extension  | 20.5 s |
| Boom retraction | 13.0 s |
| Crowding        | 5.0 s  |
| Dumping         | 4.5 s  |

## Weights

---

|   |         |
|---|---------|
| Olastad vikt (24-tumsdäck)                        | 9770 kg |
| Unladen operating Weight (24" tyres)              | 9970 kg |
| Unlade operating Weight on front axle (24" tyres) | 4010 kg |
| Unladen operating Weight on rear axle (24" tyres) | 5960 kg |
| Max ground Pressure on tyres-hard soil            | 13.0    |
| Max ground Pressure on stabs                      | 13.0    |

## Engine

---

|                            |            |
|----------------------------|------------|
| Make / Model               | Bobcat D34 |
| Fuel                       | DIESEL     |
| Cooling                    | COOLANT    |
| Rated power (ISO 14396)    | 74.0 kW    |
| Rated speed                | 2400.0 RPM |
| Maximum torque at 1400 rpm | 430.0 Nm   |
| Number of cylinders        | 4.0        |
| Displacement               | 3.41 L     |
| Bore                       | 98.0 mm    |
| Stroke                     | 113.0 mm   |

Lubrication  
 Crankshaft Ventilation  
 Air filter  
 Ignition

Gear pump pressure  
 Close breathing  
 Dry replaceable cartridge with safety element  
 Diesel compression

### Electrical

|            |        |
|------------|--------|
| Alternator | 140 A  |
| Battery    | 110.0  |
| Starter    | 2.7 kW |

### Hydraulic System

|                               |  |
|-------------------------------|--|
| Pump type                     | Gear pump with LS valve                                      |
| Pump capacity                 | 100.00 L/min   |
| Relief valve pressure setting | 250.00 bar   |
| Control valve type            | Open center with flow sharing & flow compensators technology |
| Hydraulic filter specs        | Full flow filtration   |
| Auxiliary flow front          | 65.00 L/min  |

### Drive system

|              |  |
|--------------|--|
| Transmission | Hydrostatic with electronic regulation |
| Main Drive   | Hydrostatic motor                      |

### Traction

|                                     |                        |
|-------------------------------------|------------------------|
| Standard Tyres                      | 400/80-24 / 20PR TM R4 |
| Max speed - turtle mode (24" / 20") | 8,5 / 7                |
| Max speed - rabbit mode (24" / 20") | 30 / 26                |

### Optional Tyres

|  |
|--|
| MICHELIN 400/80-24 162A8 IND TL POWER CL |
|--|

### Brakes

|                             |                    |
|-----------------------------|--------------------|
| Engine Braking              | Hydrostatic        |
| Parking and Emergency brake | Passive brake      |
| Service Brake               | Oil immersed discs |

### Steering

|               |   |
|---------------|---|
| Steering Pump | Priority valve on pump                              |
| Steering Mode | 2 wheel steering / 4 wheel steering / Crab-steering |

### Fluid Capacities

|                            |          |
|----------------------------|----------|
| Axles front/rear           | 8,3/9,3  |
| Gear box                   | 0.80 L   |
| Cooling system with heater | 14.50 L  |
| Engine oil with filter     | 12.60 L  |
| Fuel tank                  | 145.00 L |
| Adblue® tank               | 22.40 L  |
| Hydraulic tank             | 76.00 L  |
| Hydraulic system           | 157.00 L |

## Fluid Specifications

---

|                                    |   |
|------------------------------------|---|
| Coolant                            | Ethylen Glycol Mix 50:113   |
| Engine Oil                         | "ACEA E7/9 API CJ-4 or above Viscosity: -30 to 40 °C : SAE 0W30 -20 to 40°C : SAE 5W30 -15 to 40°C : SAE 10W30" |
| Fuel                               | "Diesel fuel low Sulphur - EN 590 : 2013 -ASTM D975C-15 Grade 1D or 2D S15"                                     |
| Brake Fluid                        | None. Brakes use hydraulic system pressure  |
| Hydraulic Fluid                    | MS68  |
| Transmission Oil                   | ELF SF3 / TOTAL DYNATRANS FR  |
| Grease for hinges and boom gliders | TOTAL MULTIS EP2  |

## Controls

---

|                                       |  |
|---------------------------------------|--|
| Engine                                | Electronic engine speed governor                                     |
| Starting                              | Key-type starter switch and shutdown.                                |
| Front auxiliary                       | Variable thumbwheel on joystick                                      |
| Boom raising / lowering               | Joystick electronic  |
| Boom extension /retraction            | Variable thumbwheel on joystick                                      |
| Service brake                         | Pedal-activated wet multi-disk on front axle                         |
| Secondary brake                       | Passive brake  |
| Parking brake                         | Passive brake  |
| Steering                              | Proportional hydraulic steering via a conventional steering wheel    |
| Speed range and Forward/reverse drive | Switch for hydrostatic motor and switch on joystick or lever for FNR |
| Steering modes                        | Button and screen for selection                                      |
| Auxiliary pressure release            | Standard coupler + pressure release on control valve spool           |
| Eco mode                              | Eco mode switch  |
| SHS mode                              | SHS mode switch  |

## Instruments

---

### **Instruments**

- Gauges
  - Engine RPM
  - Total operating hours
  - Job hours
  - Boom angle
  - Vehicle speed
  - Fuel gauge
  - Engine coolant temperature gauge



- Indicators
  - Front and rear wheel alignment status on screen
  - Headlight full beam
  - Headlight low beam
  - Position lights
  - Left and right turn
  - Trailer turn
  - Parking brake
  - Longitudinal stability level
  - Windscreen wipers
  - Work lights
  - Flashing warning light
  - Hazard warning lights
  - Gear Speed choice
  - Hydraulic function lock
  - Rear fog lights
  - Heater fan
  - Hydraulic fluid over-temperature
  - Engine coolant over-temperature
  - Low oil pressure
  - Battery not charging
  - Longitudinal stability alarm

## Serviceability

---

### **Serviceability**

- Access through the side engine cover and access panel:
  - Air cleaner
  - Fuel filter
  - Engine oil filter
  - Engine oil dipstick
  - Starter
  - Alternator
- Access within the cab:
  - Glass washer fluid
  - Fuses, diodes and relays
  - ISL control box

## Miljö

---

|                                       |                       |
|---------------------------------------|-----------------------|
| Operator noise level (LpA) (EN 12053) | 75 dB(A)              |
| Level of acoustic power (LwA)         | 106 dB(A)             |
| Helkroppsvibration (EN 13059)         | 1.00 ms <sup>-2</sup> |

# BE OM **EN OFFERT**

Klicka bara på **knappen** eller skanna **QR-koden** nedan för åtkomst till vårt offertformulär.

Vi kontaktar dig så snart som möjligt. Tack!



**BEGÄR OFFERT**

