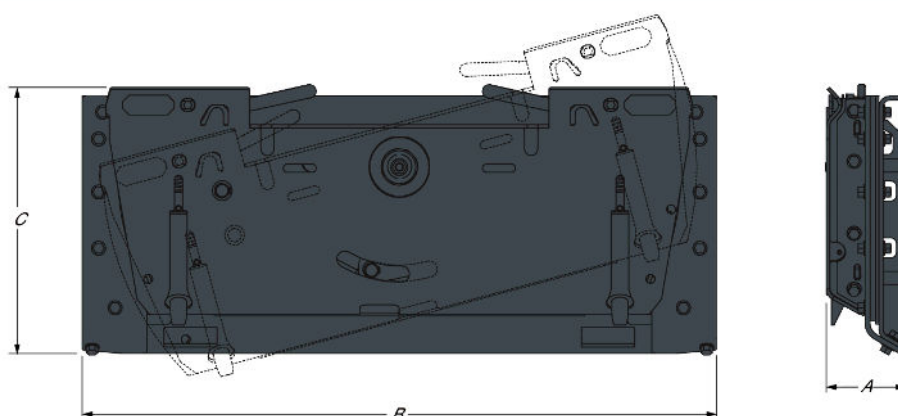


Description

Increases versatility of Bobcat buckets, pallet forks and other attachments. This hydraulic tool can rotate an attachment right or left 15 degrees from center. Use it to keep loads level on sloping terrain and to make a level cut on a hillside. It can also be used to dig drainage ditches with the corner of the bucket.

Dimensions



Description	Item number	Overall length (A) (mm)	Overall width (B) (mm)	Overall height (C) (mm)
Tilt-Tatch	7101600	109.0	1219.0	518.0

Weights

Description	Item number	Operating weight (kg)	Shipping weight (kg)
Tilt-Tatch	7101600	145.0	145.0

Characteristics and Performance

Description	Item number	Rotation ± (°)
Tilt-Tatch	7101600	15.0

Main features

- Connects as an interface between the Bob-Tach™ and attachment. ¹
- Rotates right or left 15 degrees from center.
- Hydraulically controlled from loader seat.
- Keeps load level on uneven terrain.
- Cuts level path out of sidehill.
- Digs drainage ditches with the corner of the bucket.

Applications

- Agriculture
- Construction and Demolition

1. Note: Use of Tilt-Tatch™ will reduce operating capacity and tip load by approximately 20%. See the Tilt-Tatch™ Operators Manual for New Load Ratings. Note: Tilt-Tatch™ can be used with non-hydraulic attachments only. • Digs drainage ditches with the corner of the bucket.

Specifications are subject to change without notice - Pictures of Bobcat units may show other than standard equipment

- Grading and Leveling
- Landscaping

Loader Compatibility

Description	Item number	Compatible with loader	Functional requirements
Tilt-Tatch	7101600	T450E IIIB, T590E IIIB, T590B iT4, S450E IIIA, S450B T2, S510E IIIA, S510B, S530E IIIA, S530B, S550E IIIB, S550B iT4, S570B iT4, S590E IIIB, S590B iT4, S630E iT4, S630B iT4, S450 V, S510E V, S530E V, T590E V, T450E V, S66, S76, T66, S510B, S530B, S550E V, S590E V, S630B iT4, S650B iT4	-

BE OM **EN OFFERT**

Klicka bara på **knappen** eller skanna **QR-koden** nedan för åtkomst till vårt offertformulär.

Vi kontaktar dig så snart som möjligt. Tack!



BEGÄR OFFERT

