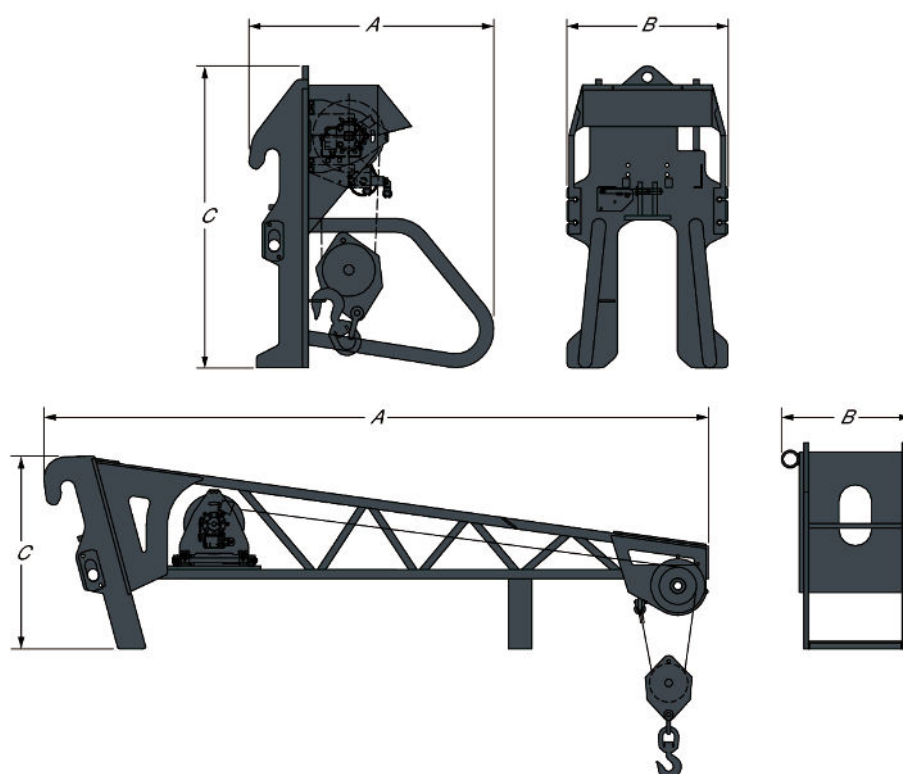


## Description

Add a winch and your Telescopic Handler is turned into a crane, but with all advantages of its mobility and versatility. Using this attachment, the Telescopic Handler can position loads in places which are difficult to access by conventional means. The winch is indispensable to raise and lower loads without having to move the boom. It is fitted with a proportional control system for precise positioning of the load.

## Dimensions



Description	Item number	Overall Length (A) (mm)	Overall Width (B) (mm)	Overall Height (C) (mm)
Hydraulic Winch (2 t) + Extension Jib L = 1.3 m	7254898	1300.0	480.0	-
Hydraulic Winch (1.2 t) + Extension Jib L = 2.5 m	7254899	2500.0	480.0	-
Hydraulic Winch (1.2 t) + Extension Jib L = 2.5 m for MB Bracket	7276582	2500.0	550.0	-
Hydraulic Winch, double pull with cable guide (capacity 3 t)	7254901	-	890.0	-
Hydraulic Winch, double pull with cable guide (capacity 4 t)	7275191	-	550.0	-

## Weights

Description	Item number	Operating weight (kg)	Shipping weight (kg)
Hydraulic Winch (2 t) + Extension Jib L = 1.3 m	7254898	250.0	250.0
Hydraulic Winch (1.2 t) + Extension Jib L = 2.5 m	7254899	325.0	325.0
Hydraulic Winch (1.2 t) + Extension Jib L = 2.5 m for MB Bracket	7276582	245.0	245.0
Hydraulic Winch, double pull with cable guide (capacity 3 t)	7254901	410.0	410.0
Hydraulic Winch, double pull with cable guide (capacity 4 t)	7275191	490.0	490.0

## Characteristics and performance

Description	Item number	Max load (kg)	Drop length (m)	Max. hydr. pressure (bar)	Max. hydr. flow (L/min)
Hydraulic Winch (2 t) + Extension Jib L = 1.3 m	7254898	2000.0	-	-	-
Hydraulic Winch (1.2 t) + Extension Jib L = 2.5 m	7254899	1200.0	-	-	-
Hydraulic Winch (1.2 t) + Extension Jib L = 2.5 m for MB Bracket	7276582	1200.0	-	-	-
Hydraulic Winch, double pull with cable guide (capacity 3 t)	7254901	3000.0	-	-	-
Hydraulic Winch, double pull with cable guide (capacity 4 t)	7275191	4000.0	-	-	-

## Main features

- Drop length of 24 m (total cable length is 51 m) with a cable diameter of 12 mm.
- The cable is wound up properly thanks to a cable-pressing roller, a small rake angle and a threaded drum (complying with EN-14492-2).
- The hydraulic components are protected by a protective cage.
- Extra wide block prevents cable from twisting and wearing.
- Maximum hoist speed is 21.5 m/min.
- They come with a removable stand to support the winch and keep it off the ground when in storage. For easy handling & carrying, the stand is equipped with pallet fork slots.

## Applications

- Construction and Demolition

- Lifting and Handling

**Telescopic Compatibility**

Description	Item number	Compatible with telescopic	Functional requirements
Hydraulic Winch (2 t) + Extension Jib L = 1.3 m	7254898	TR38160EVO IIIA, TR38160EVO IIIB, TR50190EVO IIIB, TR50210EVO IIIA, TR50210EVO IIIB, TR40250EVO IIIA, TR40250EVO IIIB	-
Hydraulic Winch (1.2 t) + Extension Jib L = 2.5 m	7254899	TR38160EVO IIIA, TR38160EVO IIIB, TR50190EVO IIIB, TR50210EVO IIIA, TR50210EVO IIIB, TR40250EVO IIIA, TR40250EVO IIIB	-
Hydraulic Winch (1.2 t) + Extension Jib L = 2.5 m for MB Bracket	7276582	TR50210EVO IIIB, TR40250EVO IIIB	-
Hydraulic Winch, double pull with cable guide (capacity 3 t)	7254901	TR38160EVO IIIA, TR38160EVO IIIB, TR50190EVO IIIB, TR50210EVO IIIA, TR50210EVO IIIB, TR40250EVO IIIA, TR40250EVO IIIB	-
Hydraulic Winch, double pull with cable guide (capacity 4 t)	7275191	TR50190EVO IIIB, TR50210EVO IIIA, TR50210EVO IIIB, TR40250EVO IIIA, TR40250EVO IIIB	-

# BE OM **EN OFFERT**

Klicka bara på **knappen** eller skanna **QR-koden** nedan för åtkomst till vårt offertformulär.

Vi kontaktar dig så snart som möjligt. Tack!



**BEGÄR OFFERT**

